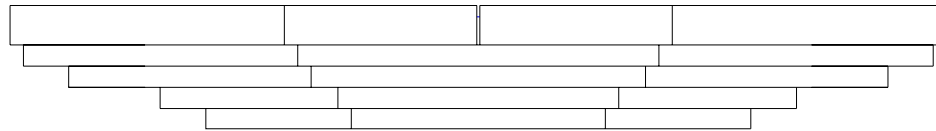


SECTION A



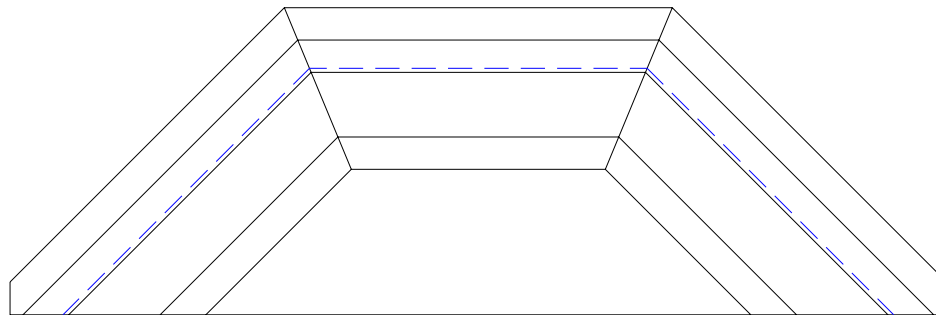
LEFT SIDE



FRONT



RIGHT SIDE



BOTTOM

ITEM TAG: W7-TEST	
TYPE DWG: PRODUCTION	
DATE:	SHEET 1 OF 1
DWG: W7_TEST	

PROJECT:

REVISIONS:



**Stromberg Architectural Products**  
 P.O. Box 8036, I-30 West, Greenville, TX 75404 (903) 454-8682 FAX (903) 454-3642



DRAWN BY:

SCALE: 1/2" = 1'