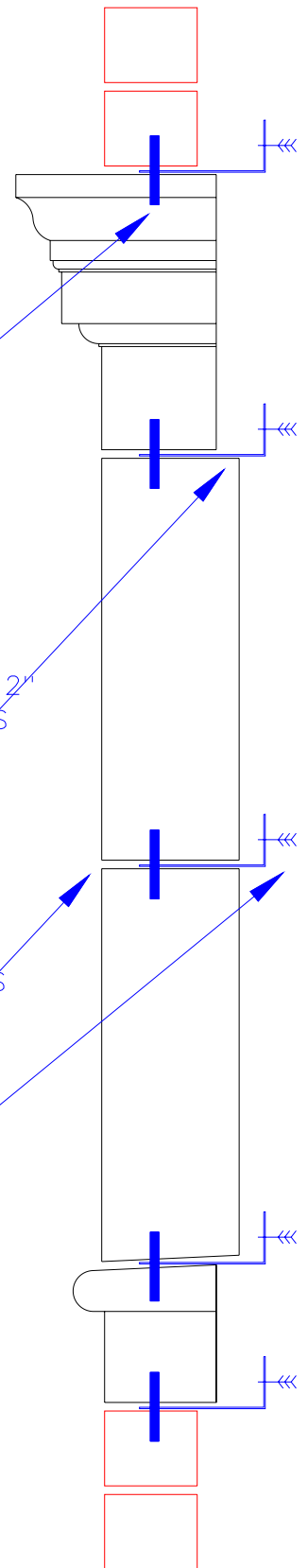


FRONT VIEW



SIDE VIEW

3/8" X 3"
DOWELS

1 1/4" X 12"
12 GA STRAPS

3/8" JOINTS

SUITABLE
FASTENERS
BY OTHERS

SUGGESTED MOUNTING

PROJECT:

ITEM TAG: WINDOW MOUNTING

REVISIONS:

SCALE: 1 1/2" = 1'

DRAWN BY:



Stromberg Architectural Products
P.O. Box 8036, I-30 West, Greenville, TX 75404 (903) 454-8682 FAX (903) 454-3642

DWG: W3_SP

SHEET

DATE:

1 OF 1