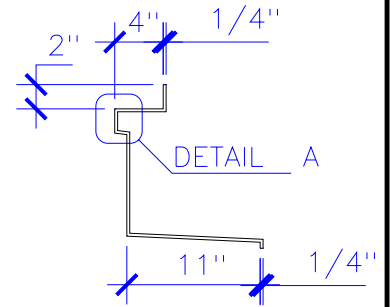
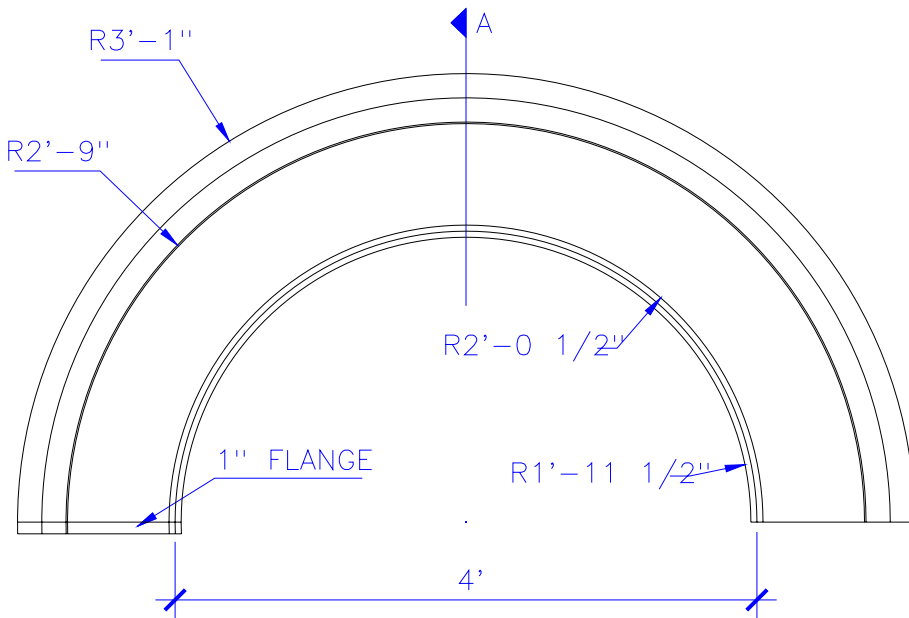
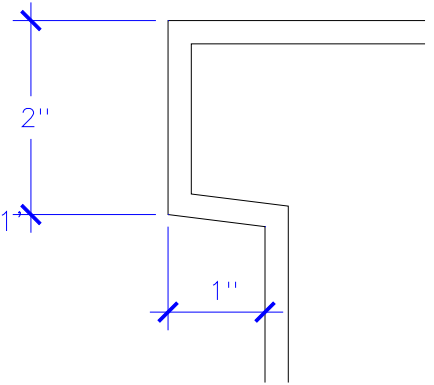


ISOMETRIC

DETAIL A
SCALE: 6" = 1"



SECTION A

ITEM TAG: WS-1

MATERIAL: GFRP

TOTAL # OF ITEM:

TOTAL SQ./CU. FEET:

COLOR: PER APPROVED SAMPLE

TEXTURE: SMOOTH

REFERENCES:

DWG. APPROVED	MOLD	CAST	SHIPPED	TOTAL WT.

PROJECT:
LOCATION:
CLIENT:

DRAWING TITLE:
WINDOW SURROUND

REVISIONS

CUSTOMER APPROVAL: SCALE: 3/4" = DRAWN BY: SHT: A