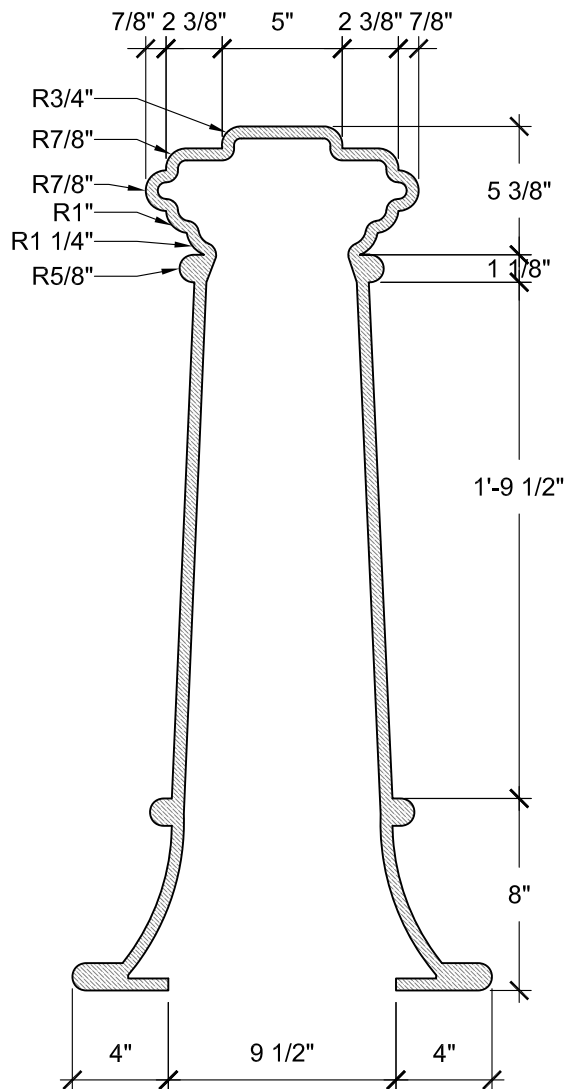
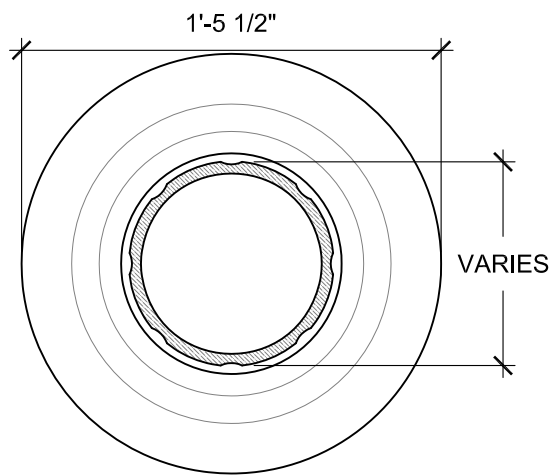


FRONT VIEW  
SCALE: 1 1/2" = 1'-0"



SECTION A  
SCALE: 1 1/2" = 1'-0"



SECTION B  
SCALE: 1 1/2" = 1'-0"

SIZE CHART		
NAME	HEIGHT	WIDTH
SBS 015.1	2'-0"	11 1/2"
SBS 015.2	2'-6"	1'-2 1/2"
SBS 015.3	3'-0"	1'-5 1/2"
SBS 015.4	3'-6"	1'-8 1/2"
SBS 015.5	4'-0"	1'-11 1/2"

ALL RIGHTS RESERVED. THIS DRAWING IS PROPERTY OF STROMBERG ARCHITECTURAL PRODUCTS INC. AND MAY BE USED ONLY WHEN UTILIZING STROMBERG ARCH. PRODUCTS. STROMBERG GENERAL TERMS AND CONDITIONS APPLY AND ARE INCORPORATED HERE IN BY REFERENCE. THIS DETAIL MAY NOT APPLY TO ALL CONDITIONS AND CONSTRUCTION SITUATIONS.

 <b>Stromberg Architectural Products</b> 4400 Oneal Street, Greenville, TX 75404 (903) 454-0904 FAX (903) 454-3642	TITLE: SBS-015	TYPE DWG: BOLLARD
	SCALE: AS NOTED	DWG. SHEET: <b>SBS-015</b>