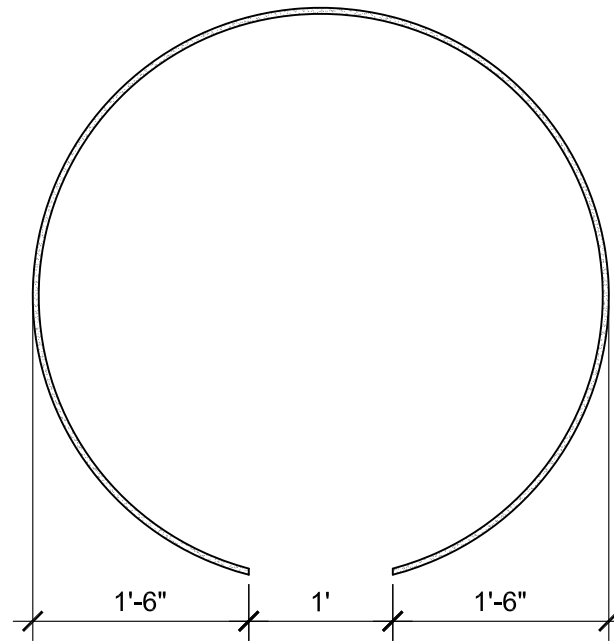
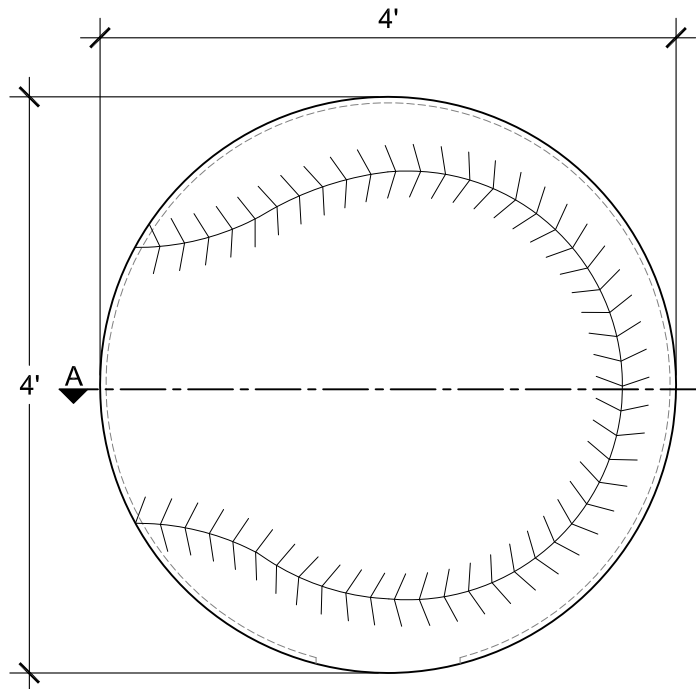
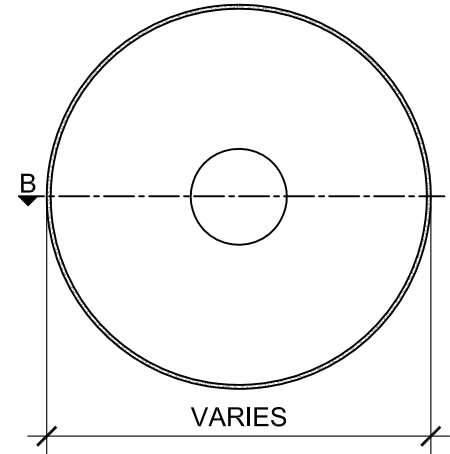


SIZE CHART

NAME	HEIGHT	WIDTH
SBSP 032.1	2'-0"	2'-0"
SBSP 032.2	2'-6"	2'-6"
SBSP 032.3	3'-0"	3'-0"
SBSP 032.4	3'-6"	3'-6"
SBSP 032.5	4'-0"	4'-0"



SECTION A



SECTION A
SCALE: 1/2" = 1'-0"

ALL RIGHTS RESERVED. THIS DRAWING IS PROPERTY OF STROMBERG ARCHITECTURAL PRODUCTS INC. AND MAY BE USED ONLY WHEN UTILIZING STROMBERG ARCH. PRODUCTS. STROMBERG GENERAL TERMS AND CONDITIONS APPLY AND ARE INCORPORATED HERE IN BY REFERENCE. THIS DETAIL MAY NOT APPLY TO ALL CONDITIONS AND CONSTRUCTION SITUATIONS.