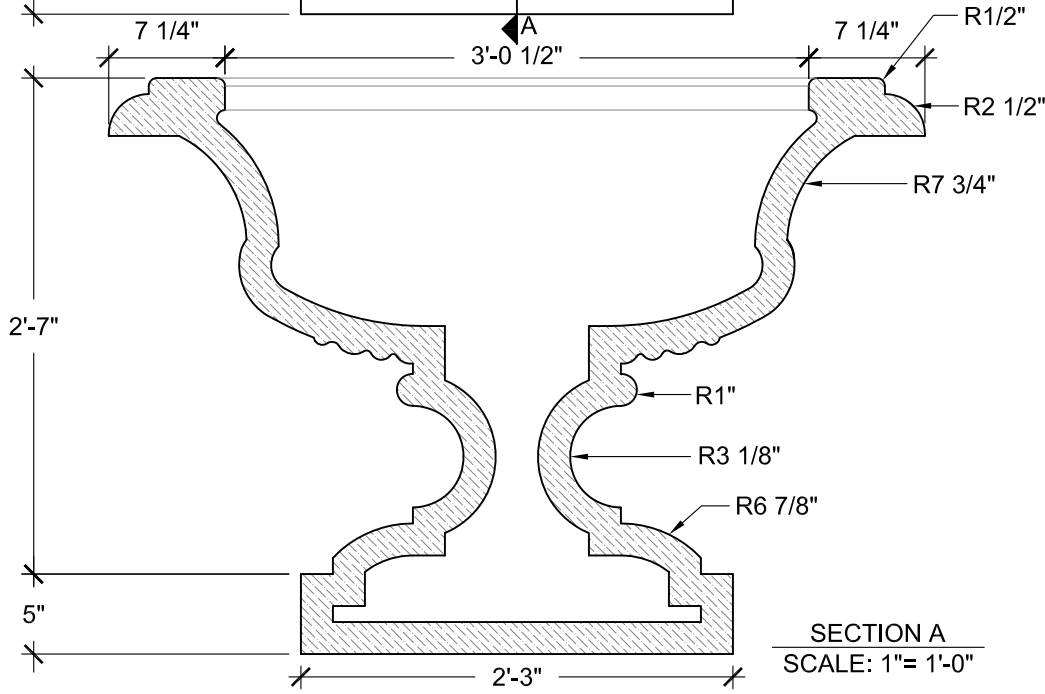


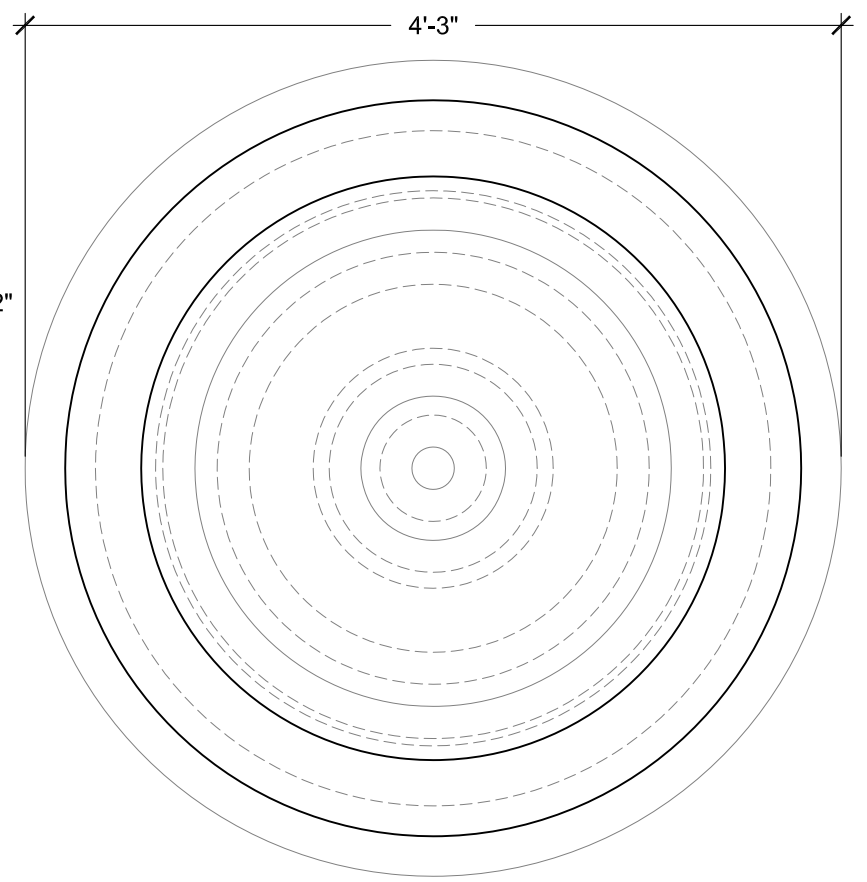
FRONT VIEW  
SCALE: 1"= 1'-0"



SECTION A  
SCALE: 1"= 1'-0"

## SIZE CHART

NAME	HEIGHT	WIDTH
SBSP 056.1	2'-0"	2'-10"
SBSP 056.2	2'-6"	3'-6"
SBSP 056.3	3'-0"	4'-3"
SBSP 056.4	3'-6"	4'-11"



TOP VIEW  
SCALE: 1"= 1'-0"

ALL RIGHTS RESERVED. THIS DRAWING IS PROPERTY OF STROMBERG ARCHITECTURAL PRODUCTS INC. AND MAY BE USED ONLY WHEN UTILIZING STROMBERG ARCH. PRODUCTS. STROMBERG GENERAL TERMS AND CONDITIONS APPLY AND ARE INCORPORATED HERE IN BY REFERENCE. THIS DETAIL MAY NOT APPLY TO ALL CONDITIONS AND CONSTRUCTION SITUATIONS.

**Stromberg Architectural Products**  
 4400 Oneal Street, Greenville, TX 75404 (903) 454-0904 FAX (903) 454-3642

TITLE: SBSP-056  
 SCALE: AS NOTED

TYPE DWG: SECURITY BOLLARD  
 DWG. SHEET: **SBSP-056**