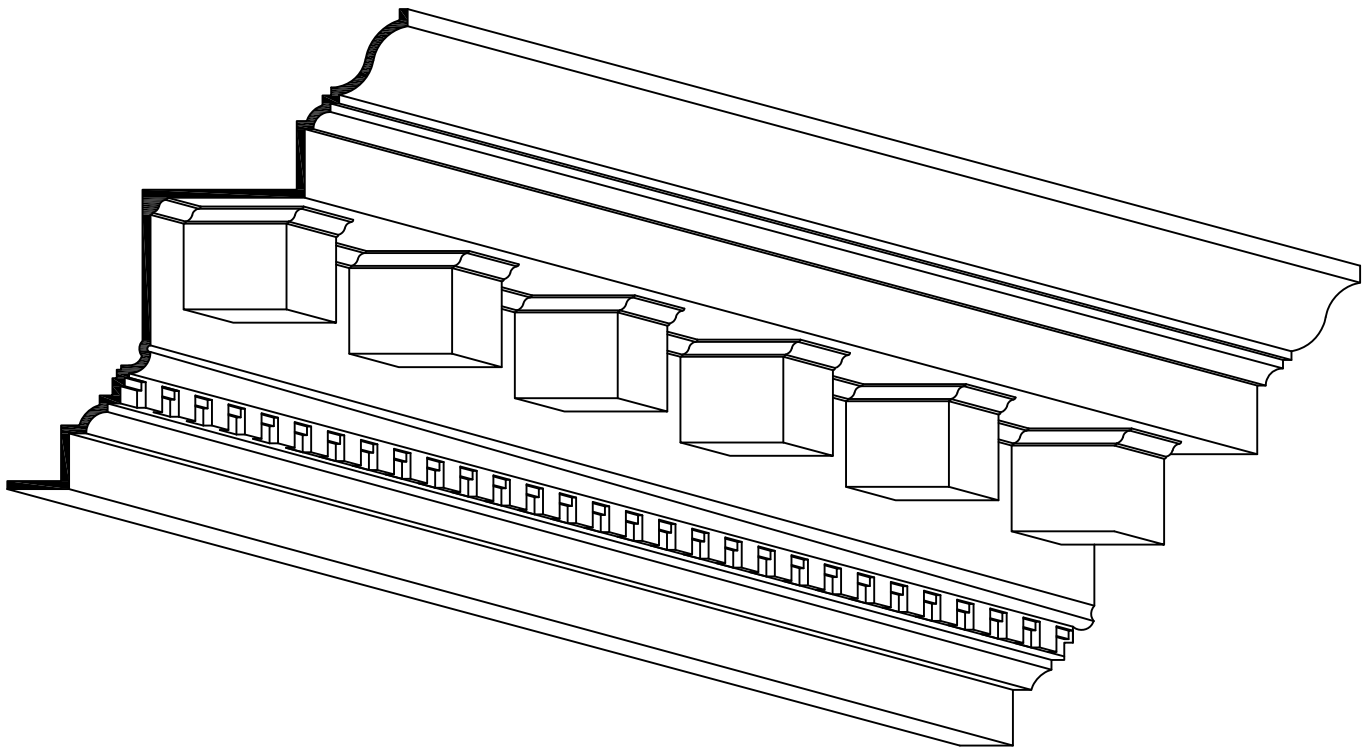


## SIZE CHART

NAME	HEIGHT	WIDTH
C 023.1	1'-0"	10"
C 023.2	1'-6"	1'-3"
C 023.3	2'-0"	1'-8"
C 023.4	2'-6"	2'-1"



ALL RIGHTS RESERVED. THIS DRAWING IS PROPERTY OF STROMBERG ARCHITECTURAL PRODUCTS INC. & MAY BE USED ONLY WHEN UTILIZING STROMBERG ARCH. PRODUCTS. STROMBERG GENERAL TERMS & CONDITIONS APPLY & ARE INCORPORATED HERE IN BY REFERENCE. THIS DETAIL MAY NOT APPLY TO ALL CONDITIONS & CONSTRUCTION SITUATIONS.

TITLE: C-023

TYPE DWG: CORNICE



**STROMBERG ARCHITECTURAL PRODUCTS INC.**

4400 Oneal Street, Greenville, TX 75401 Phone 903.454.0904 Fax 903.454.3642

SCALE: 1" = 1'-0"

DWG. SHEET:

**C\_023**