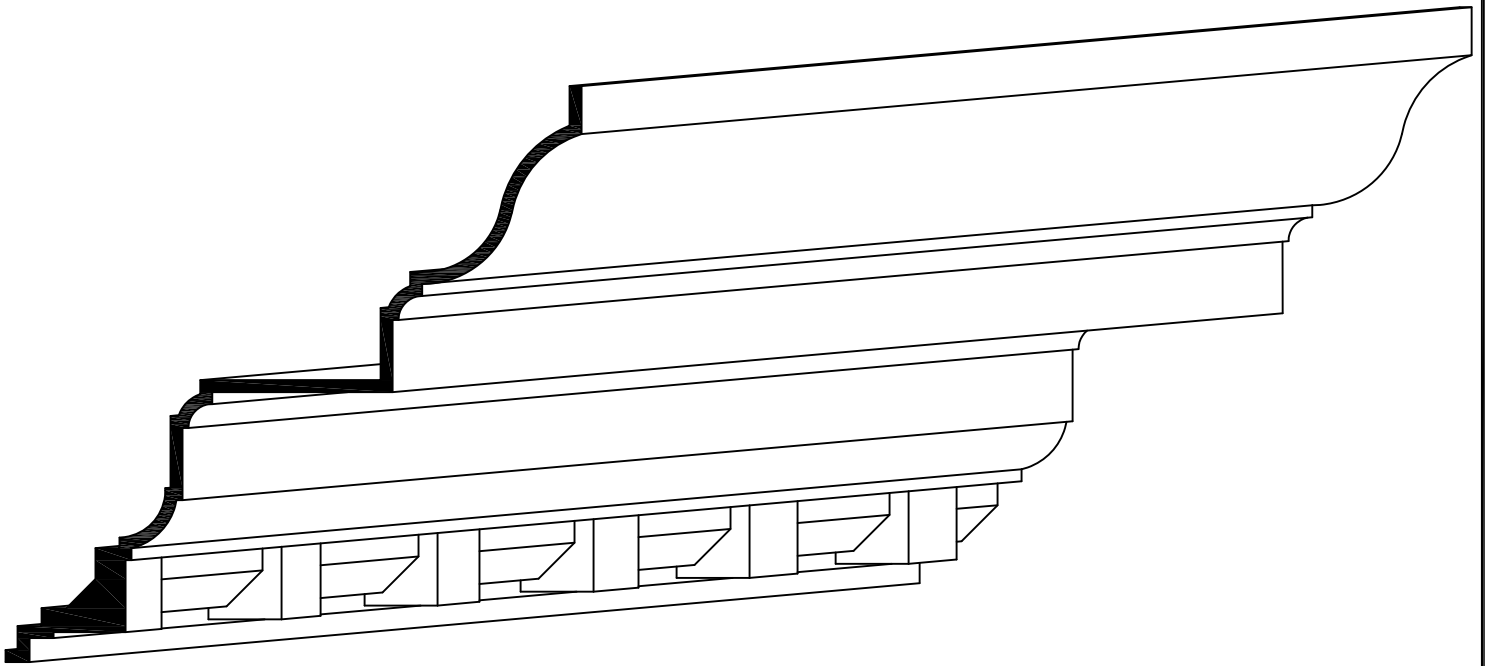


SIZE CHART

NAME	HEIGHT	WIDTH
C 110.1	1'-0"	1'-0"
C 110.2	1'-6"	1'-6"
C 110.3	2'-0"	2'-0"
C 110.4	2'-6"	2'-6"



ALL RIGHTS RESERVED. THIS DRAWING IS PROPERTY OF STROMBERG ARCHITECTURAL PRODUCTS INC. & MAY BE USED ONLY WHEN UTILIZING STROMBERG ARCH. PRODUCTS. STROMBERG GENERAL TERMS & CONDITIONS APPLY & ARE INCOPORATED HERE IN BY REFERENCE. THIS DETAIL MAY NOT APPLY TO ALL CONDITIONS & CONSTRUCTION SITUATIONS.

TITLE: C-110

TYPE DWG: CORNICE



STROMBERG ARCHITECTURAL PRODUCTS INC.

4400 Oneal Street, Greenville, TX 75401 Phone 903.454.0904 Fax 903.454.3642

SCALE: 1 1/2" = 1'-0"

DWG. SHEET:

C_110