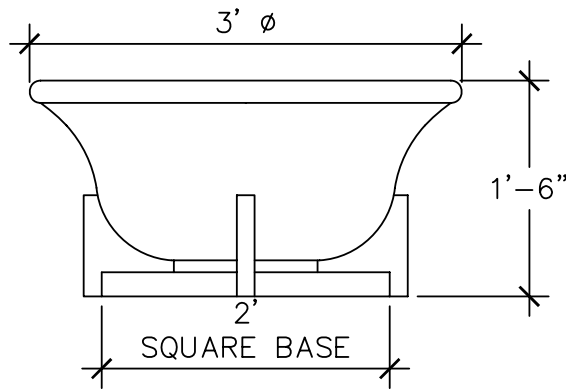
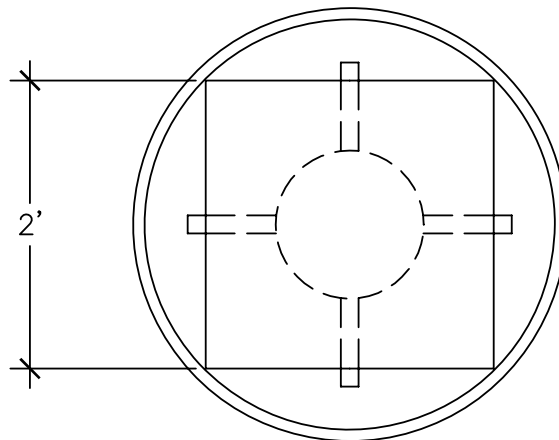


PLANTER TOP VIEW



PLANTER FRONTAL VIEW



PLANTER BOTTOM VIEW

PLANTER



Bomberg Architectural Products
 P.O. Box 8036, I-30 West, Greenville, TX 75404 (903) 454-8682 FAX (903) 454-3642



DRAWING S/N:
00226