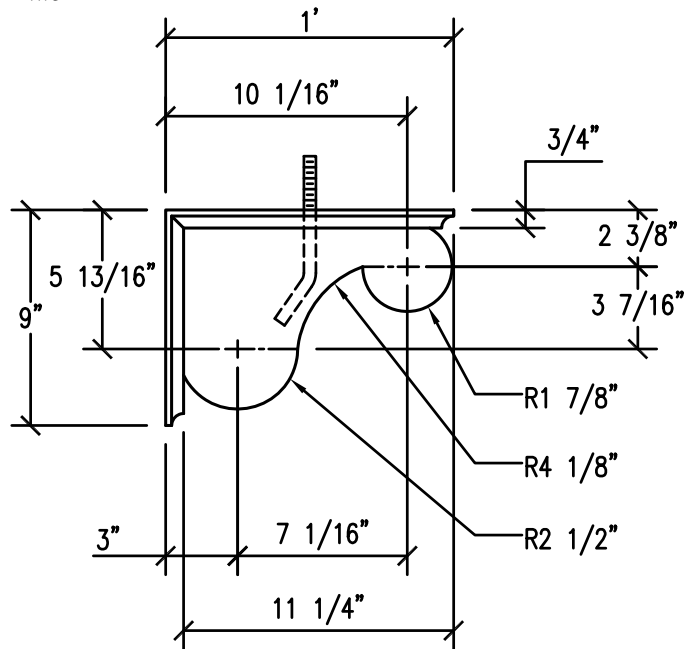
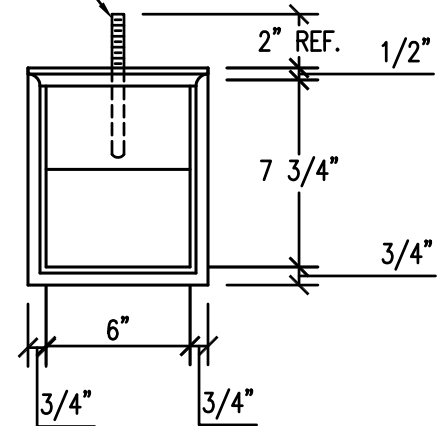


ENLARGE DETAIL
NTS



ALLTHREADED ROD
CAST INTO PICE
FIELD DRILL TO LOCATE
AND DISTRIBUTE AS REQ.
NUT AND WASHER IN PLACE
BY OTHERS



NOTE:

- BRACKET IS HOLLOW
- DIMENSIONS AS REFERENCE FINAL BRACKET SLIGHTLY VARY PER MODELING & MOLDING REQUIREMENTS

ALL RIGHTS RESERVED. THIS DRAWING IS PROPERTY OF STROMBERG ARCHITECTURAL PRODUCTS INC. AND MAY BE USED ONLY WHEN UTILIZING STROMBERG ARCHITECTURAL PRODUCTS. STROMBERG ARCHITECTURAL PRODUCTS INC. GENERAL TERMS AND CONDITIONS APPLY AND ARE INCORPORATE HERE IN BY REFERENCE. THIS DETAIL MAY NOT APPLY TO ALL CONDITIONS AND CONSTRUCTION SITUATIONS.



STROMBERG ARCHITECTURAL PRODUCTS INC.

4400 Oneal Street, Greenville, TX 75401 Phone 903.454.0904 Fax 903.454.3642

TITLE: 100 BEACON ST

TYPE DWG: BRACKET

SCALE: AS NOTED

DWG. SHEET: **100 BEACON ST B**