

COUNTERSUNK SCREW
PATCH & FILL AS REQUIRED

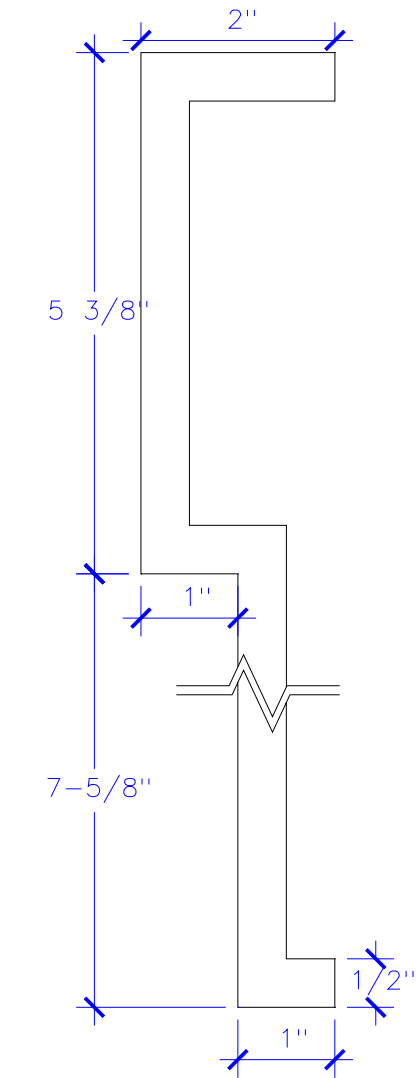
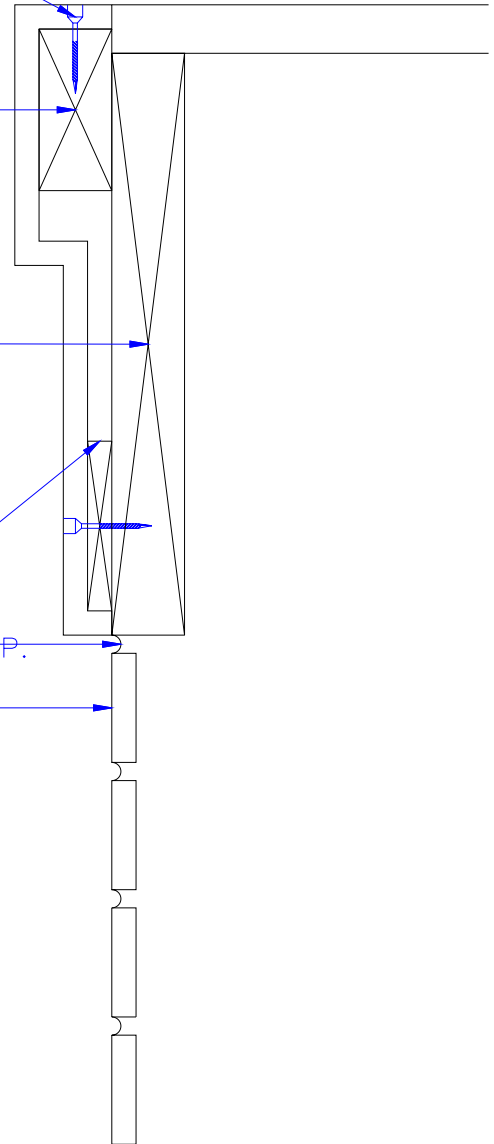
WOOD BLOCKING

WOOD BLOCKING

SHIM AS REQUIRED

3/8" MORTAR JOINT TYP.

BRICK VENEER



PROFILE VIEW

SCALE: HALF SCALE


NOTE: MATERAIL THICKNESS MAY VARY
-/+ 1/16".

PROJECT AMERISTAR CASINO: BREWERY

REFERENCES:

ITEM TAG: CORNICE MOUNTING

 **Stromberg Architectural Products**
P.O. Box 8036, I-30 West, Greer, SC 29615, 454-7568

 DRAWN BY: SRG
SCALE: 3/4" = 1'

DATE:
DWG: CORNICE_MOUNTING

SHEET
1 OF 1