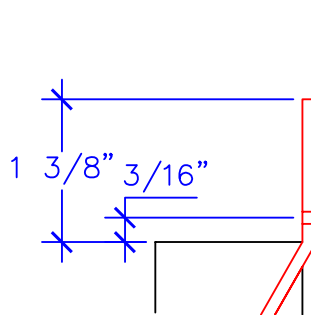


USE #8 SCREWS



DETAIL A  
4X

PROJECT: ANTHROPOLOGIE

TITLE: MOUNTING DETAILS

REVISIONS:

TYPE DWG:

DRAWN BY:



Stromberg Architectural Products  
P.O. Box 8036, I-30 West, Greenville, TX 75404 (903) 454-8682 FAX (903) 454-3642

SCALE: 1 1/2" = 1'

DATE:

DWG. SHEET: