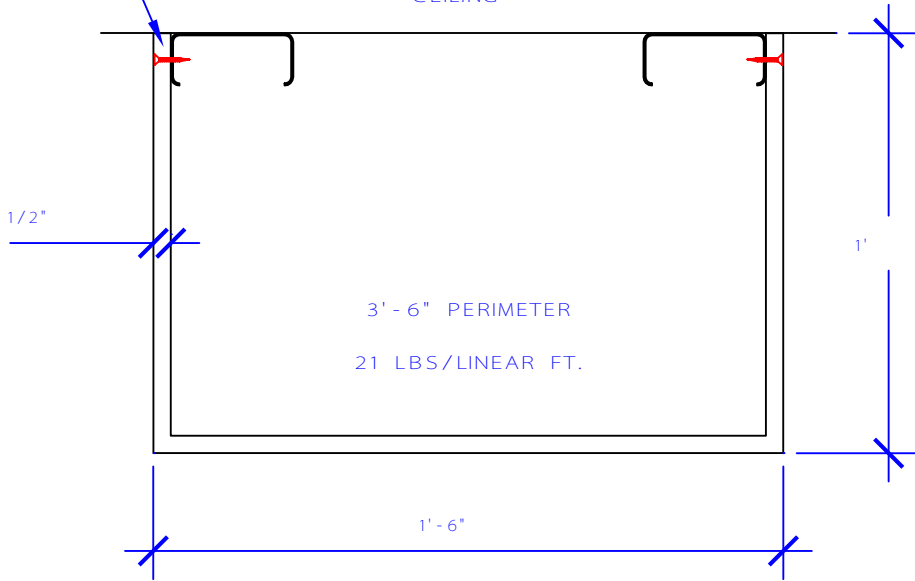


SCREW TO CEILING

MOUNTED STEEL STUDS

CEILING



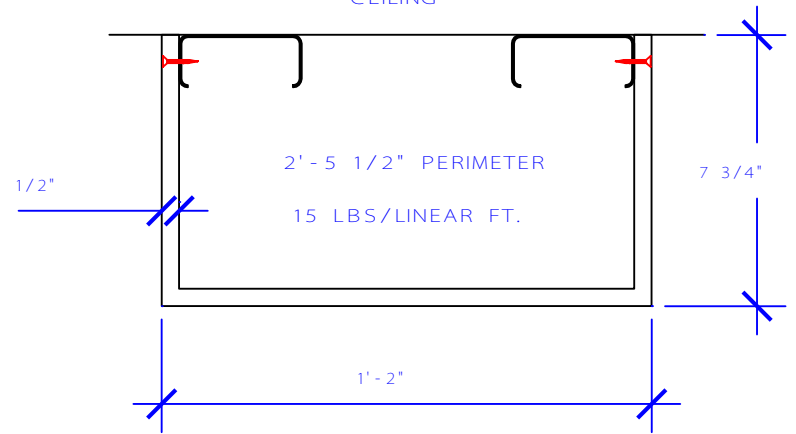
3'-6" PERIMETER
21 LBS/LINEAR FT.

1'-6"

1'

TYPE T - A

CEILING




2'-5 1/2" PERIMETER
15 LBS/LINEAR FT.

1'-2"

7 3/4"

TYPE T - B

| | | | | | | | |
|--|------|------|----------------|-----------|------------|------------------|-------------|
| DWG. APPROVED | MOLD | CAST | SHIPPED | TOTAL WT. | REFERENCES | ITEM TAG: | |
| | | | | | | MATERIAL: | |
| PROJECT: CABELLAS | | | DRAWING TITLE: | | | TOTAL # OF ITEM: | |
| LOCATION: | | | | | REVISIONS | TOTAL SQ. FEET: | |
| CLIENT: | | | | | | COLOR: | |
| CUSTOMER APPROVAL: | | | TYPE DWG: | | | TEXTURE: | |
|  Stromberg Architectural Products P.O. Box 8036, I-30 West, Greenville, TX 75404 (903) 454-8682 FAX (903) 454-3642 | | | | | | DRAWN BY: | DATE: |
| | | | | | SCALE: | SHT: A | DWG. SHEET: |