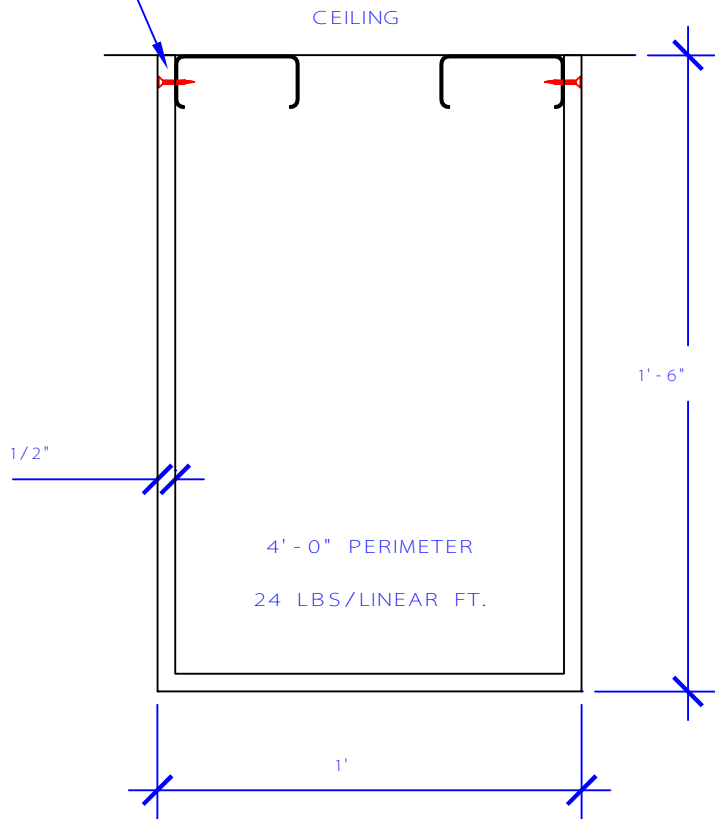


SCREW TO CEILING

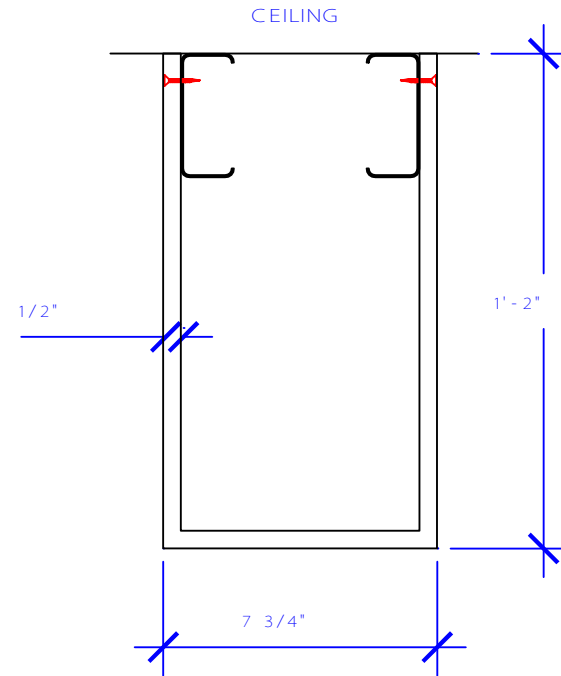
MOUNTED STEEL STUDS




TYPE T - A

2' - 11 3/4" PERIMETER

18 LBS/LINEAR FT.



TYPE T - B

DWG. APPROVED	MOLD	CAST	SHIPPED	TOTAL WT.	REFERENCES	ITEM TAG: <b>SEE CHART</b>		
						MATERIAL:		
PROJECT: CABELLAS			DRAWING TITLE:			TOTAL # OF ITEM:		
LOCATION:						TOTAL SQ. FEET:		
CLIENT:						COLOR:		
CUSTOMER APPROVAL:			TYPE DWG: FABRICATION			TEXTURE:		
 <b>Stromberg Architectural Products</b> P.O. Box 8036, I-30 West, Greenville, TX 75404 (903) 454-8682 FAX (903) 454-3642						DRAWN BY:		DATE:
					SCALE:	SHT:		DWG. SHEET: