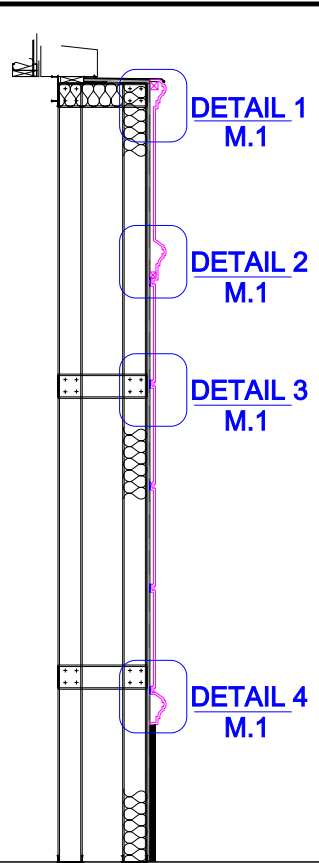
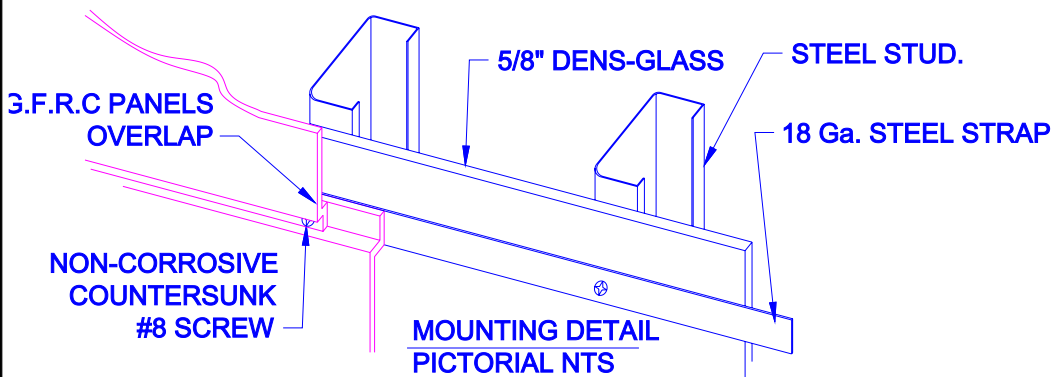
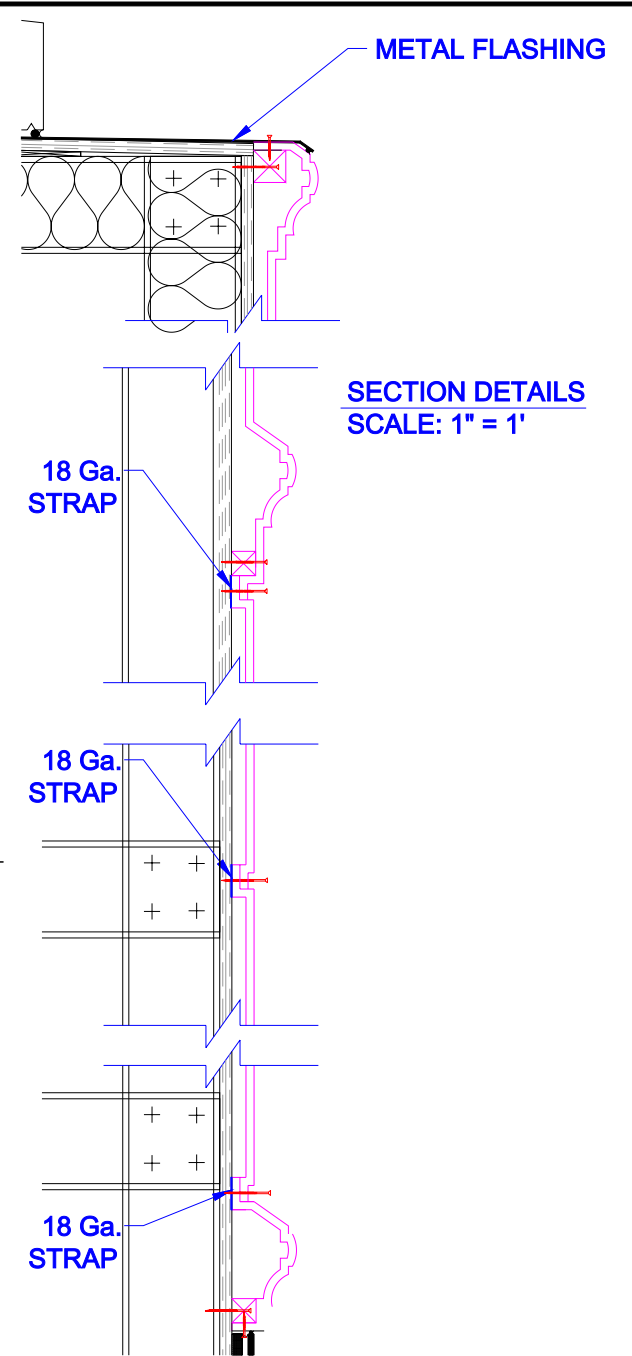


PILASTERS ELEVATION
SCALE: 1/4" = 1'



SECTION - A -
SCALE: 1/4" = 1'



PROJECT: CHICO'S

REVISIONS:

TITLE: MOUNTING REFERENCE



Stromberg Architectural Products
P.O. Box 8036, I-30 West, Greenville, TX 75404 (903) 454-8682 FAX (903) 454-3642



DRAWN BY:

TYPE DWG:

SCALE:

DATE:

DWG. SHEET:

CHI.-.-.M.1.R1