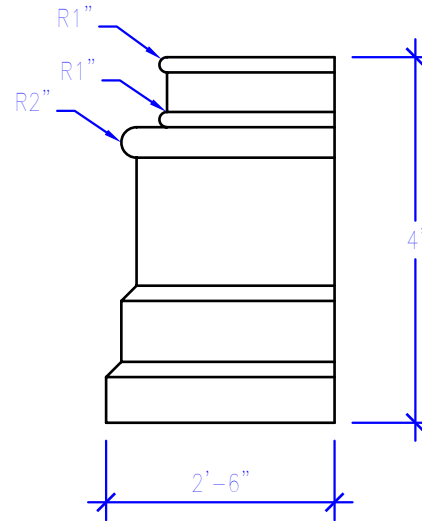
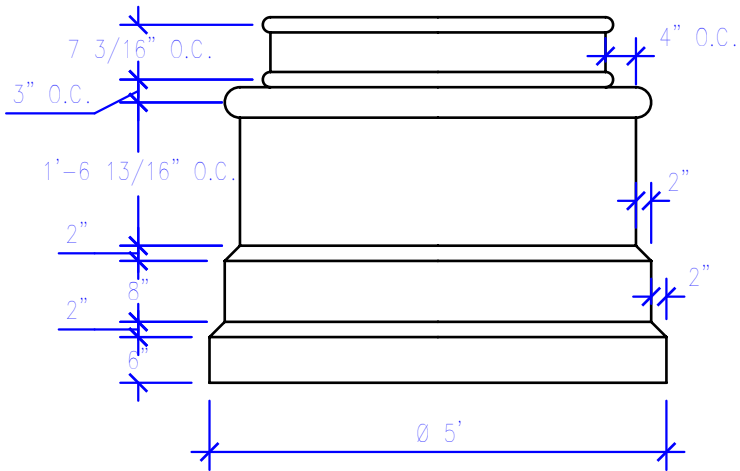
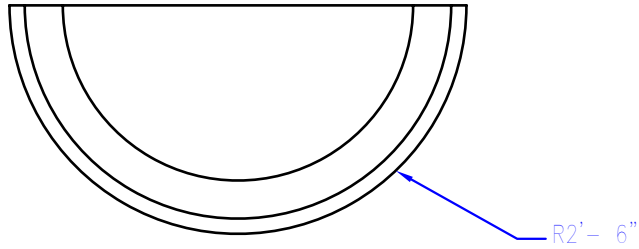


MOLD	CAST	SHIPPED	TOTAL WT.



GENERAL NOTE:  
1) MATERIAL THICKNESS VARY AND BACK IS NOT UNIFORM.

**Stromberg**  
Architectural Products

P.O. Box 8036, I-30 West, Greenville, TX 75404  
(903) 454-8682 FAX (903) 454-3642  
www.strombergarchitectural.com

PROJECT:  
COBB CINEMA

CLIENT:  
Hoar Construction

LOCATION:

APPROVALS

NOTE AND REFERENCES

PRODUCT SPECIFICATIONS	
ITEM TAG	TOTAL REQUIRED
ST-2	
MATERIAL:	
COLOR:	
TEXTURE:	
AREA:	

SCALE: 1/2" = 1'	<b>F-18</b>
DRAWN BY:	
	REVISION: 0