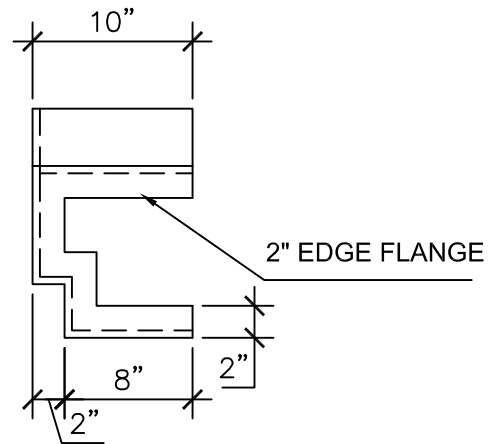
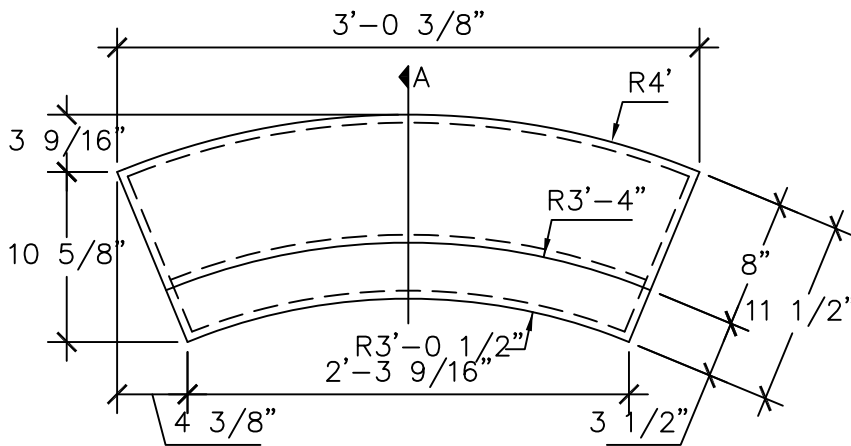


SECTION A



2" EDGE FLANGE

ALL RIGHTS RESERVED. THIS DRAWING IS PROPERTY OF STROMBERG ARCHITECTURAL PRODUCTS INC. & MAY BE USED ONLY WHEN UTILIZING STROMBERG ARCH. PRODUCTS. STROMBERG GENERAL TERMS & CONDITIONS APPLY & ARE INCORPORATED HERE IN BY REFERENCE. THIS DETAIL MAY NOT APPLY TO ALL CONDITIONS & CONSTRUCTION SITUATIONS.

TITLE: COMMERCE BANK

TYPE DWG: LOWER SURROUND



STROMBERG ARCHITECTURAL PRODUCTS INC.

4400 Oneal Street, Greenville, TX 75401 Phone 903.454.0904 Fax 903.454.3642

SCALE: AS NOTED

DWG. SHEET: **COMMERCE LS**