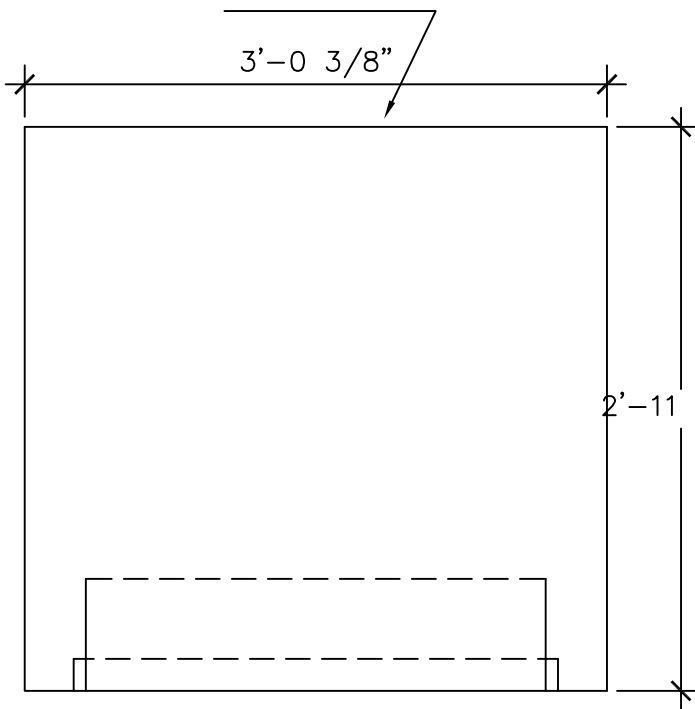
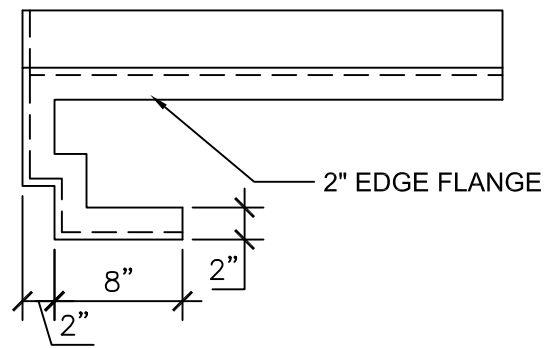
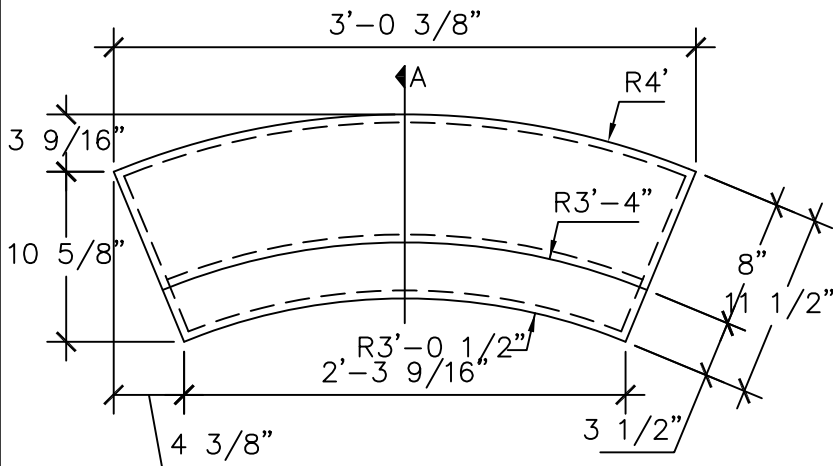
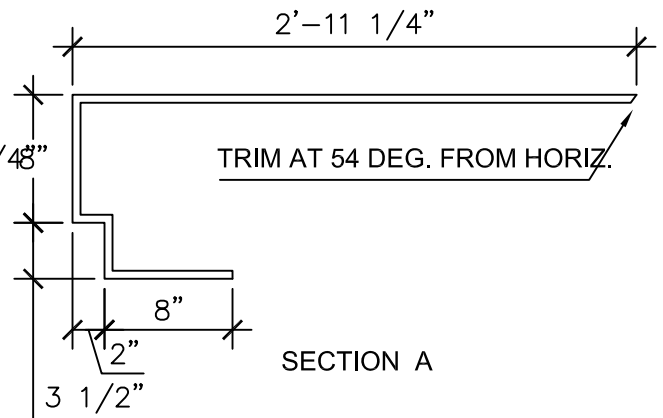


SHOP CUT EDGE  
ON RADIUS TO  
FOLLOW ROOFLINE



TRIM BACK OF PANEL IN SHOP USING  
CS1A, CS1B, CS1C AND CS1D CUTTING  
GUIDE DRAWINGS.

PRODUCE 4 OF EACH, CS1A, CS1B, CS1C, CS1D



ALL RIGHTS RESERVED. THIS DRAWING IS PROPERTY OF STROMBERG ARCHITECTURAL PRODUCTS INC. & MAY BE USED ONLY WHEN UTILIZING STROMBERG ARCH. PRODUCTS. STROMBERG GENERAL TERMS & CONDITIONS APPLY & ARE INCORPORATED HERE IN BY REFERENCE. THIS DETAIL MAY NOT APPLY TO ALL CONDITIONS & CONSTRUCTION SITUATIONS.

TITLE: COMMERCE BANK

TYPE DWG: UPPER SURROUND



STROMBERG ARCHITECTURAL PRODUCTS INC.

4400 Oneal Street, Greenville, TX 75401 Phone 903.454.0904 Fax 903.454.3642

SCALE: AS NOTED

DWG. SHEET: **COMMERCE US**