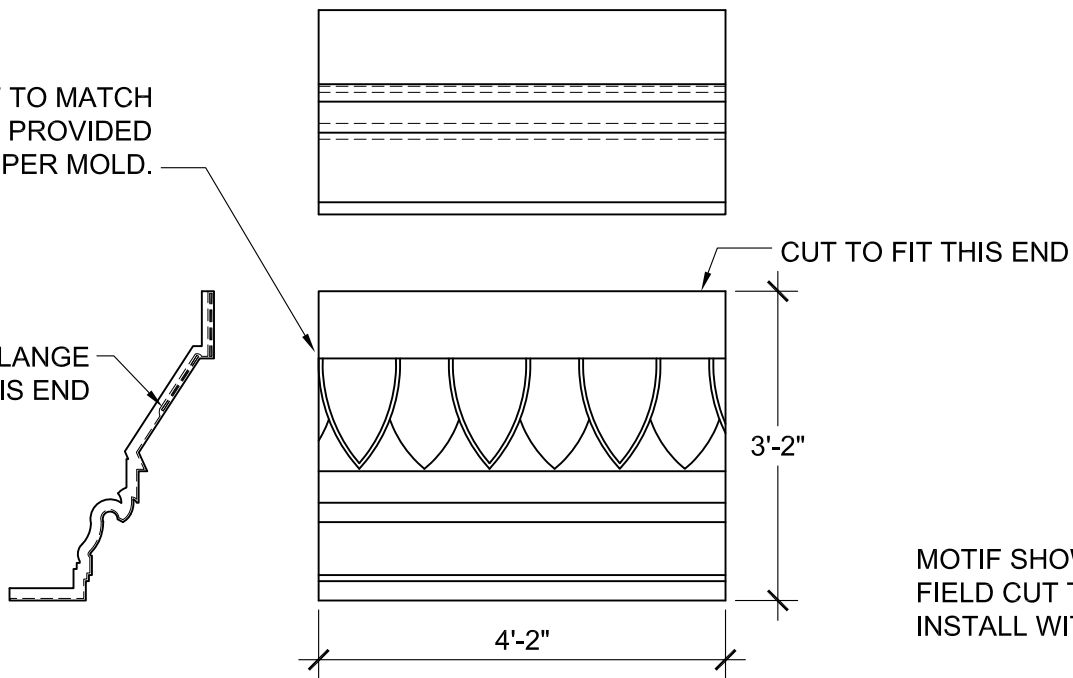


CORNICE MOTIF TO MATCH  
EXISTING. DETAILS PROVIDED  
PER MOLD.

1 1/2" FLANGE  
RETURN THIS END



MOTIF SHOWN FOR REFERANCE ONLY.  
FIELD CUT TO FIT CORNICE MOTIF AND  
INSTALL WITH S.S. SCREWS BY OTHERS.

ALL RIGHTS RESERVED. THIS DRAWING IS PROPERTY OF STROMBERG ARCHITECTURAL PRODUCTS INC. AND MAY BE USED ONLY WHEN UTILIZING STROMBERG ARCHITECTURAL PRODUCTS. STROMBERG ARCHITECTURAL PRODUCTS INC. GENERAL TERMS AND CONDITIONS APPLY AND ARE INCORPORATE HERE IN BY REFERENCE. THIS DETAIL MAY NOT APPLY TO ALL CONDITIONS AND CONSTRUCTION SITUATIONS.



STROMBERG ARCHITECTURAL PRODUCTS INC.

4400 Oneal Street, Greenville, TX 75401 Phone 903.454.0904 Fax 903.454.3642

TITLE: FEDERAL RESERVE

TYPE DWG: CORNICE 2

SCALE: AS NOTED

DWG. SHEET: **FEDERAL C2**