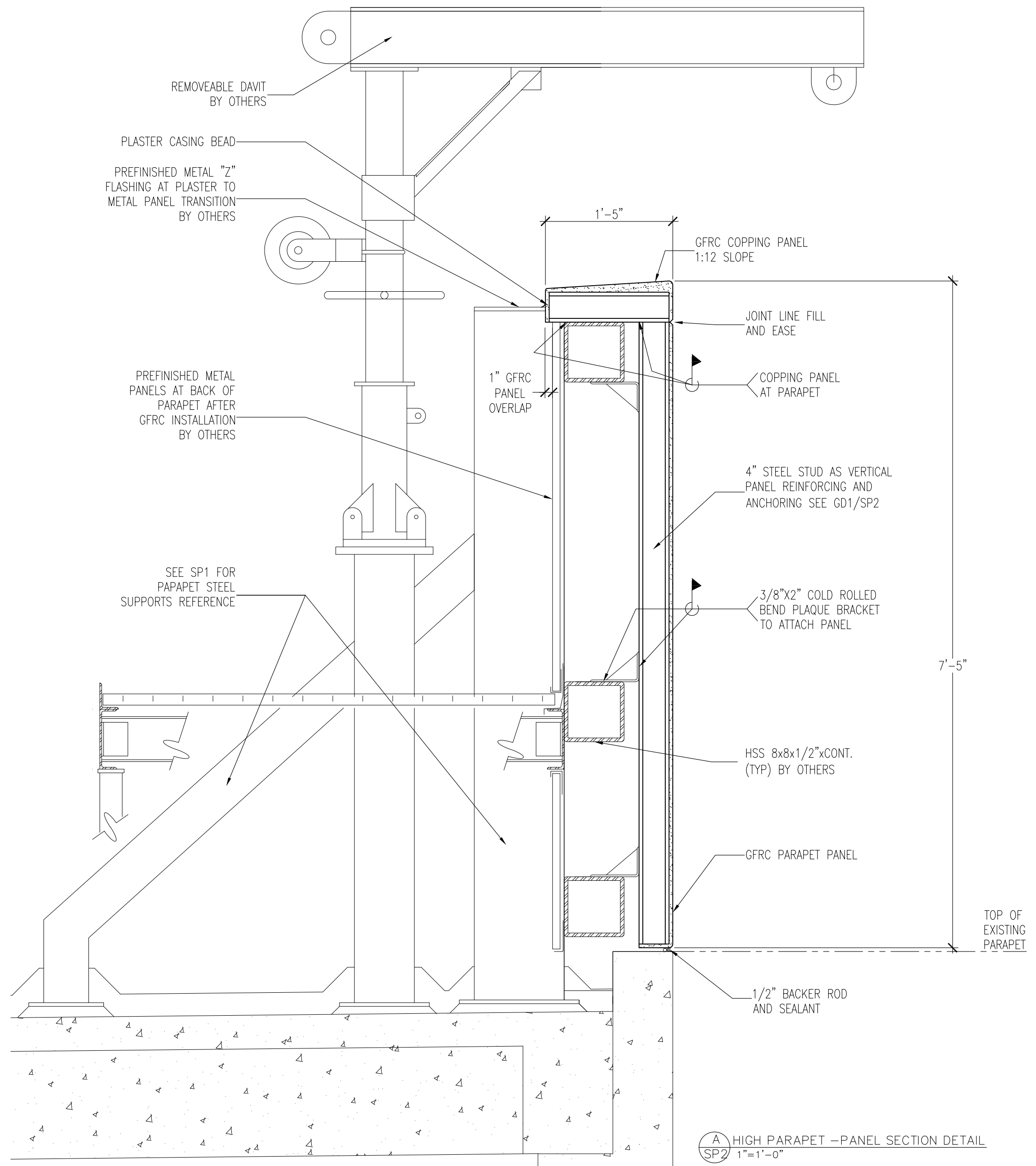
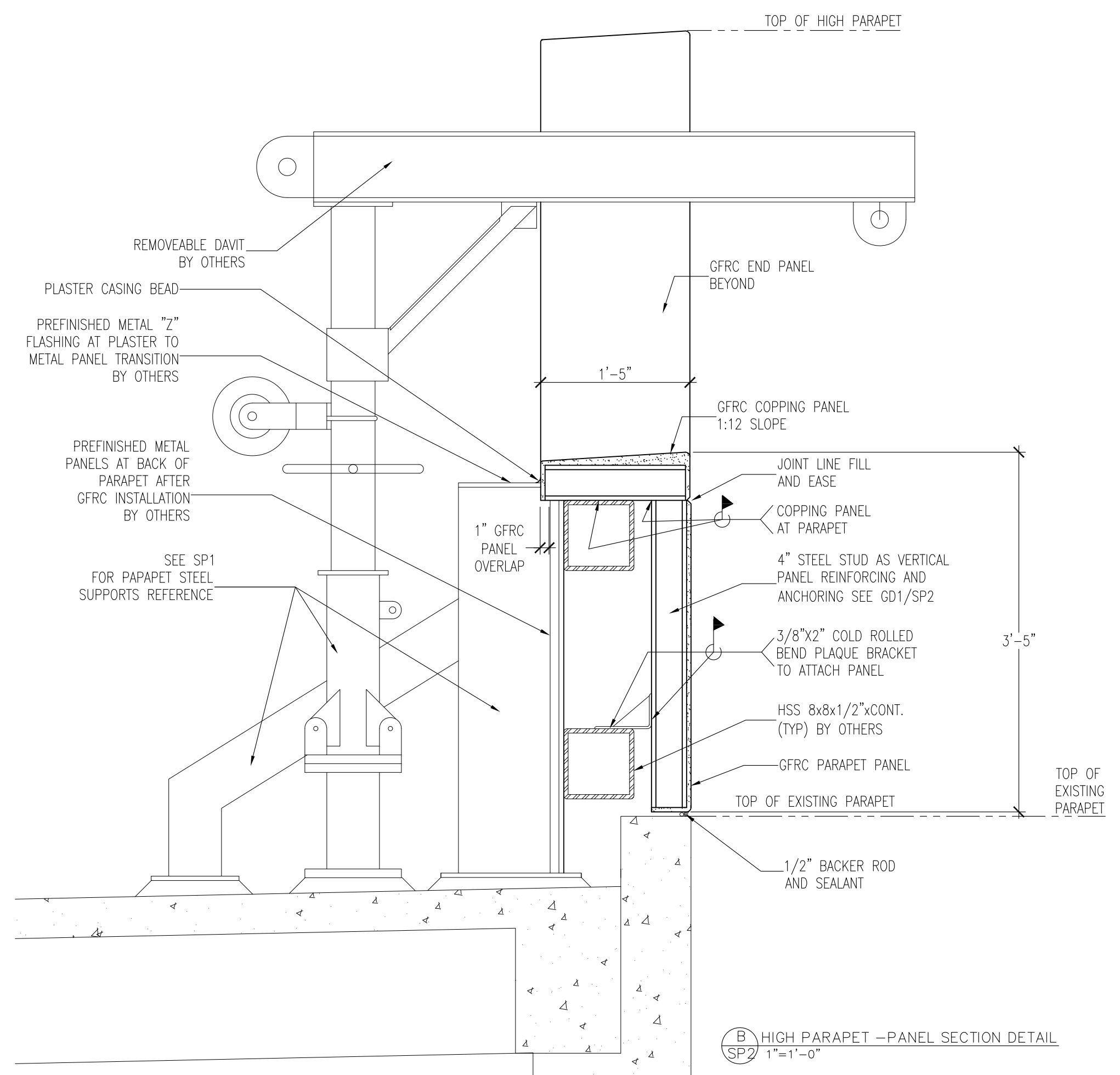


SP2 PARAPET - ELEVATION
1/4"=1'-0"

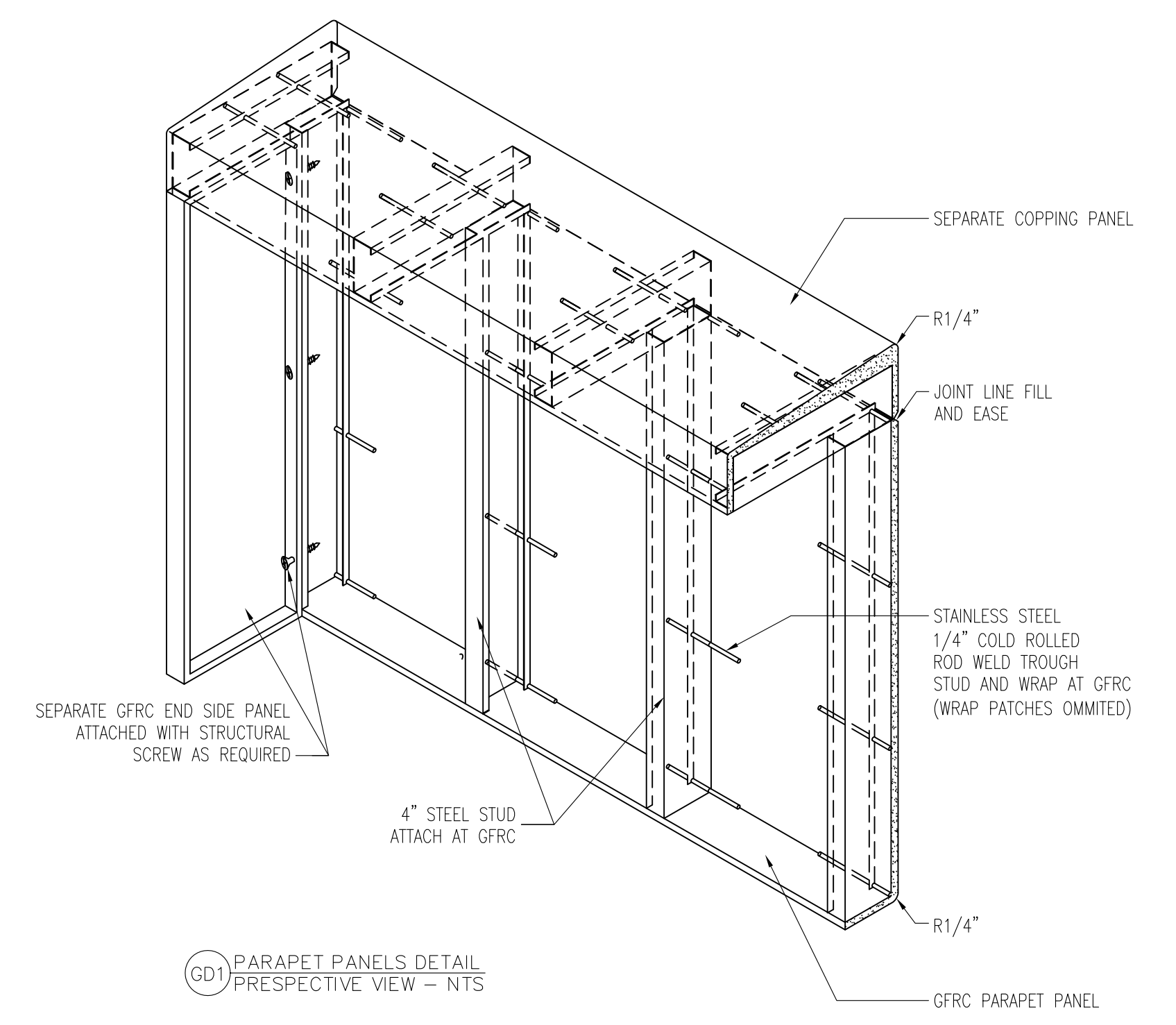
PART LIST			
ITEM	DESCRIPTION	SHOP DWG	QTY. REQ.
1	LOWER PARAPET PANEL	F1	16
2	HIGH PARAPET PANEL	F2	15
1A	LOWER COPPING PANEL	F3	16
2A	HIGH COPPING PANEL	F4	15
1B	LOWER END SIDE PANEL	F5	2
2B	HIGH END SIDE PANEL	F6	2



A HIGH PARAPET - PANEL SECTION DETAIL
1"=1'-0"



B HIGH PARAPET - PANEL SECTION DETAIL
1"=1'-0"



G01 PARAPET PANELS DETAIL
PERSPECTIVE VIEW - NTS

ALL RIGHTS RESERVED. THIS DRAWING IS PROPERTY OF STROMBERG ARCHITECTURAL PRODUCTS INC. AND MAY BE USED ONLY WHEN UTILIZING STROMBERG ARCHITECTURAL PRODUCTS. STROMBERG ARCHITECTURAL PRODUCTS INC. GENERAL TERMS AND CONDITIONS APPLY AND ARE INCORPORATE HERE IN BY REFERENCE. THIS DETAIL MAY NOT APPLY TO ALL CONDITIONS AND CONSTRUCTION SITUATIONS.

<p>STROMBERG ARCHITECTURAL PRODUCTS INC. 4400 Oneal Street, Greenville, TX 75401 Phone 903.454.0904 Fax 903.454.3642</p>	TITLE: GALLERIA TOWER II	TYPE DWG: SETTING PLAN
	SCALE: AS NOTED	DWG. SHEET: GALLERIA SP