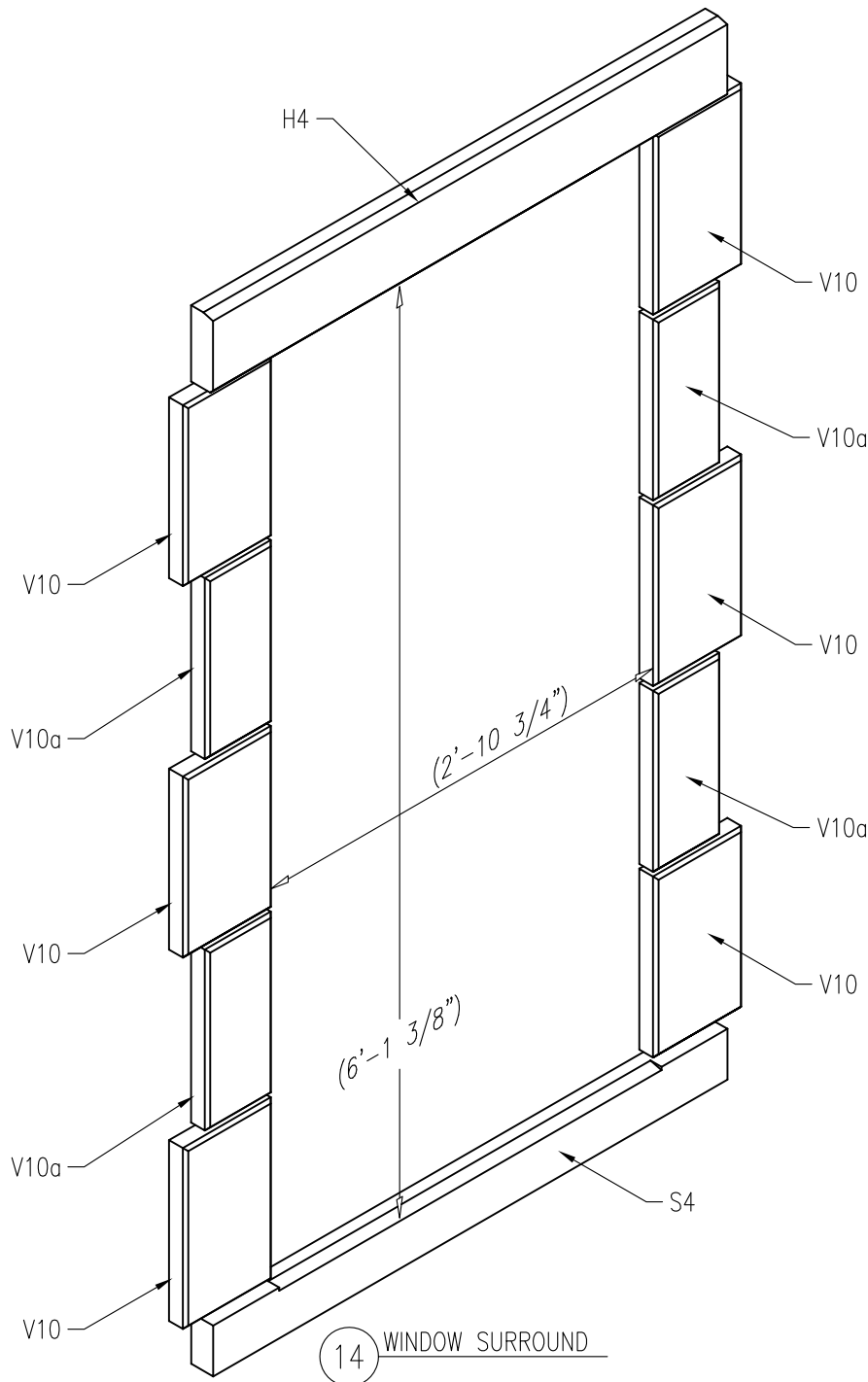


WINDOW SURROUND REQUIREMENT		
TYPE	OPENING	ELEVATION
14	128A	NORTH
14	128C	NORTH
TOTAL SURROUND TYPE 14		2



PART LIST		
ITEM	DWG.	QTY.REQUIRED
V10	F1	12
V10a	F2	8
H4	F3	2
S4	F4	2

ALL RIGHTS RESERVED. THIS DRAWING IS PROPERTY OF STROMBERG ARCHITECTURAL PRODUCTS INC. & MAY BE USED ONLY WHEN UTILIZING STROMBERG ARCH. PRODUCTS. STROMBERG GENERAL TERMS & CONDITIONS APPLY & ARE INCORPORATED HERE IN BY REFERENCE. THIS DETAIL MAY NOT APPLY TO ALL CONDITIONS & CONSTRUCTION SITUATIONS.

TITLE: LITTLE PINE LAKE

TYPE DWG: WINDOW SURROUND 3



STROMBERG ARCHITECTURAL PRODUCTS INC.

4400 Oneal Street, Greenville, TX 75401

Phone 903.454.0904 Fax 903.454.3642

SCALE: AS NOTED

DWG. SHEET:

PINE WS3