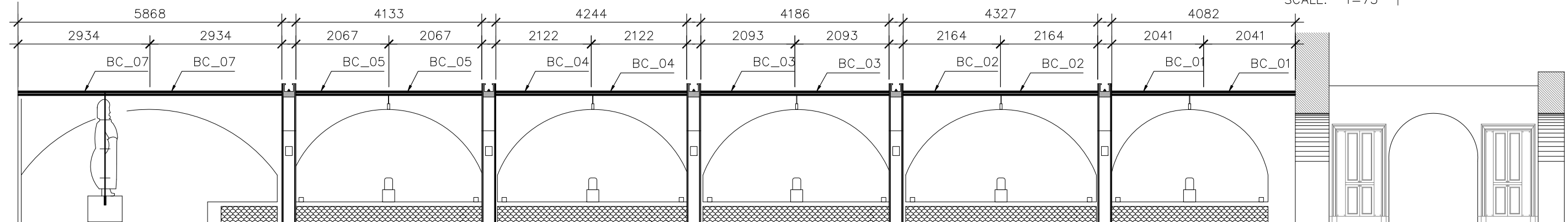
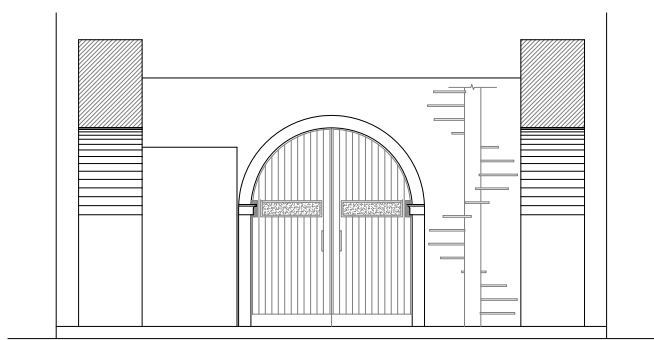


EAST ELEVATION
SCALE: 1=75

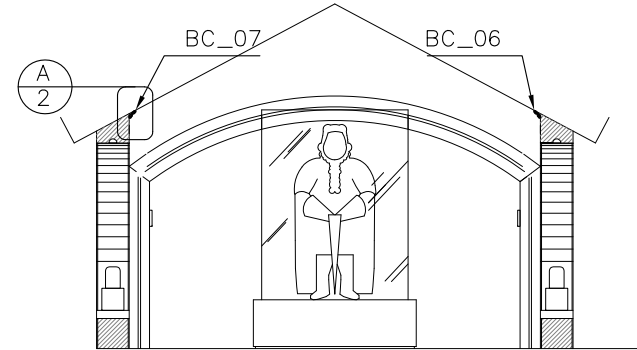


WEST ELEVATION
SCALE: 1=75

CORNICE PRODUCTION CHART		
ITEM TAG	FINAL LENGTH	QTY.
BC_01	2108mm [6' 11"]	4
BC_02	2235mm [7' 4"]	4
BC_03	2235mm [7' 4"]	4
BC_04	2235mm [7' 4"]	4
BC_05	2108mm [6' 11"]	4
BC_06	2715mm [8' 11"]	2
B_07	2985mm [9' 10"]	2



NORTH ELEVATION OF ENTRANCE
SCALE: 1=75



SOUTH ELEVATION
SCALE: 1=75