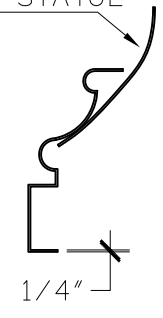
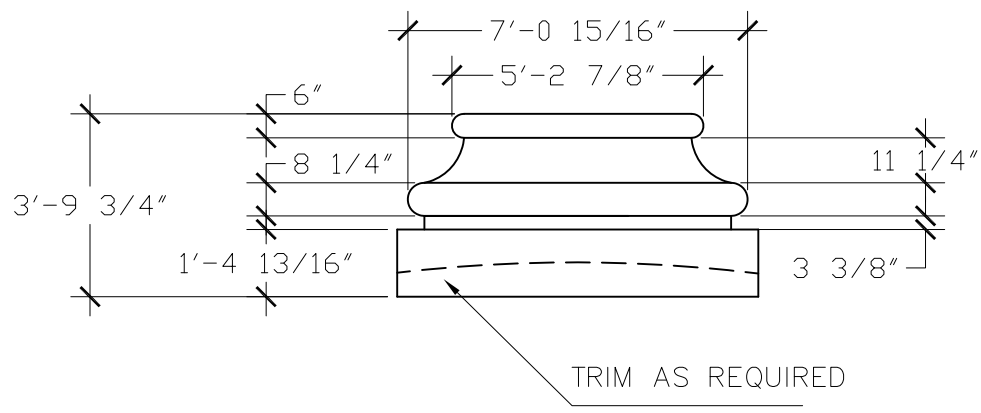


MOUNTING DETAILS

RODS EXTEND INTO STATUE



SECTION AA



ALL RIGHTS RESERVED. THIS DRAWING IS PROPERTY OF STROMBERG ARCHITECTURAL PRODUCTS INC. & MAY BE USED ONLY WHEN UTILIZING STROMBERG ARCH. PRODUCTS. STROMBERG GENERAL TERMS & CONDITIONS APPLY & ARE INCORPORATED HERE IN BY REFERENCE. THIS DETAIL MAY NOT APPLY TO ALL CONDITIONS & CONSTRUCTION SITUATIONS.

TITLE: PORTOFINO TYPE DWG: STATUE BASE

 <b>STROMBERG ARCHITECTURAL PRODUCTS INC.</b> 4400 Oneal Street, Greenville, TX 75401 Phone 903.454.0904 Fax 903.454.3642	SCALE: AS NOTED
	DWG. SHEET: <b>PORTOFINO SB</b>