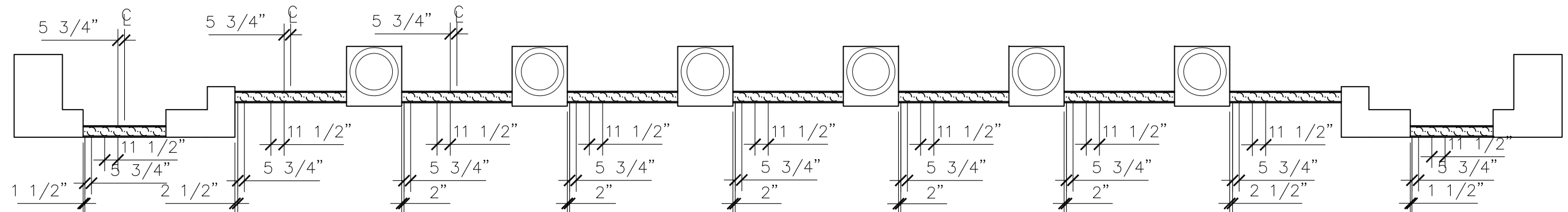
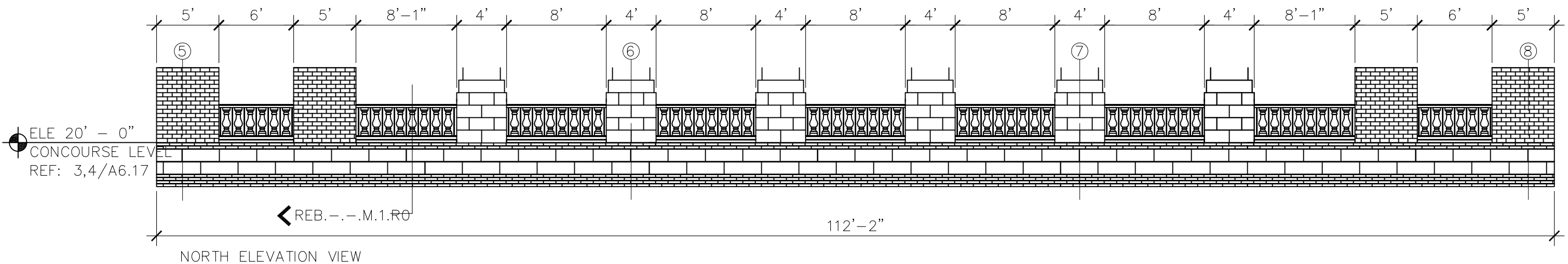


PARTIAL ELEVATION VIEW
SCALE: 3/8" = 1'

IMPORTANT NOTE: BALUSTRADES TOP RAIL, BOTTOM RAIL AND BALUSTER ARE ASSEMBLED AS ONE UNIT IN SHOP.
MASONRY OPENINGS MUST RETAIN SPECIFIED DIMENSIONS.



PLAN VIEW



NORTH ELEVATION VIEW

ALL RIGHTS RESERVED. THIS DRAWING IS PROPERTY OF STROMBERG ARCHITECTURAL PRODUCTS INC. AND MAY BE USED ONLY WHEN UTILIZING STROMBERG ARCHITECTURAL PRODUCTS. STROMBERG ARCHITECTURAL PRODUCTS INC. GENERAL TERMS AND CONDITIONS APPLY AND ARE INCORPORATE HERE IN BY REFERENCE. THIS DETAIL MAY NOT APPLY TO ALL CONDITIONS AND CONSTRUCTION SITUATIONS.

 STROMBERG ARCHITECTURAL PRODUCTS INC. 4400 Oneal Street, Greenville, TX 75401 Phone 903.454.0904 Fax 903.454.3642	TITLE: R E BERRY	TYPE DWG: SETTING PLAN 1
	SCALE: AS NOTED	DWG. SHEET: BERRY SP1