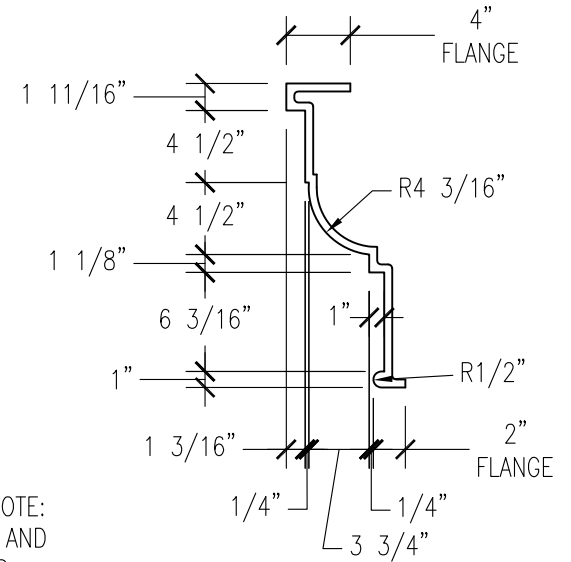
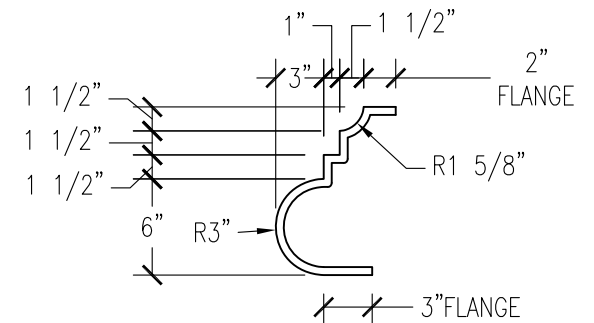


SHAFT SECTION NOTE:
 D1, D2, T1 DIMS AND
 SHAFT ENTASIS AS
 SHOP STANDARS.



TC - PROFILE
 SCALE: 1" = 1'



TB - PROFILE
 SCALE: 1" = 1'

PART LIST		
ITEM	DESCRIPTION	QTY. REQ.
TB	TUSCAN CAP	4 HALVES
TS1	SHAFT SECTION	4 HALVES
TS2	SHAFT SECTION	4 HALVES
TS3	SHAFT SECTION	4 HALVES
TC	TUSCAN BASE	4 HALVES

ALL RIGHTS RESERVED. THIS DRAWING IS PROPERTY OF STROMBERG ARCHITECTURAL PRODUCTS INC. AND MAY BE USED ONLY WHEN UTILIZING STROMBERG ARCHITECTURAL PRODUCTS. STROMBERG ARCHITECTURAL PRODUCTS INC. GENERAL TERMS AND CONDITIONS APPLY AND ARE INCORPORATE HERE IN BY REFERENCE. THIS DETAIL MAY NOT APPLY TO ALL CONDITIONS AND CONSTRUCTION SITUATIONS.