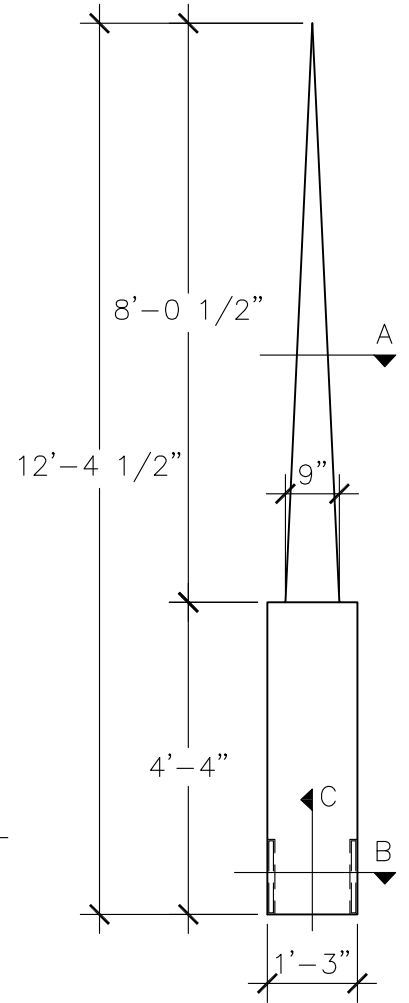
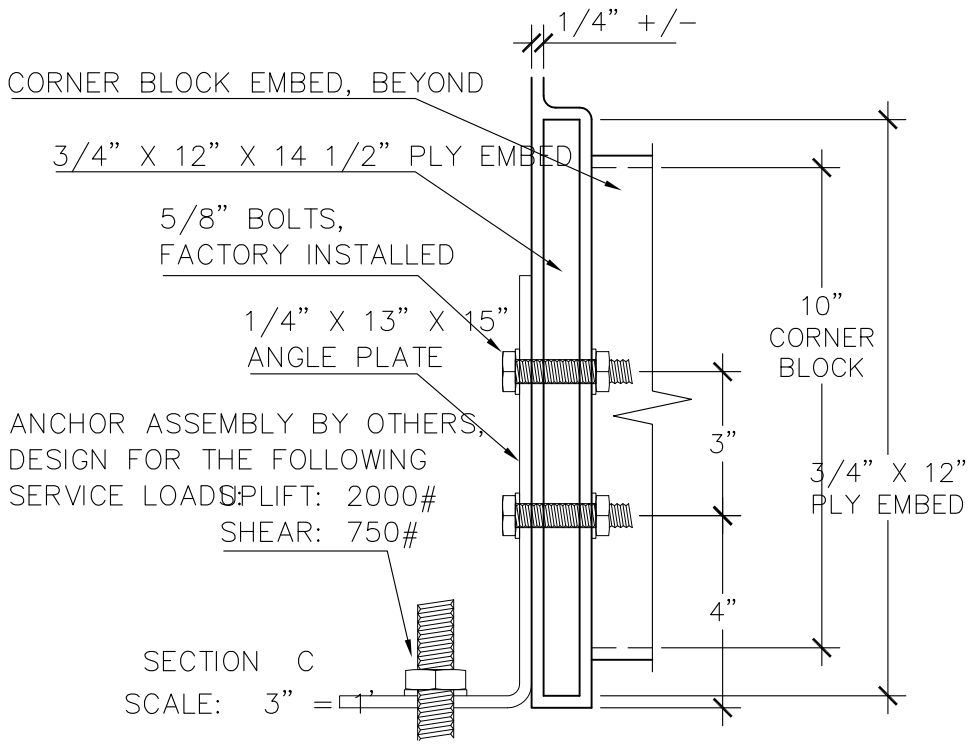


SECTION A
SCALE: 1" = 1'



SECTION B
SCALE: 1" = 1'



SECTION C
SCALE: 3" = 1'

ALL RIGHTS RESERVED. THIS DRAWING IS PROPERTY OF STROMBERG ARCHITECTURAL PRODUCTS INC. & MAY BE USED ONLY WHEN UTILIZING STROMBERG ARCH. PRODUCTS. STROMBERG GENERAL TERMS & CONDITIONS APPLY & ARE INCORPORATED HERE IN BY REFERENCE. THIS DETAIL MAY NOT APPLY TO ALL CONDITIONS & CONSTRUCTION SITUATIONS.

TITLE: SAN JOSE STATE TYPE DWG: SPIRE 2

STROMBERG ARCHITECTURAL PRODUCTS INC.
4400 Oneal Street, Greenville, TX 75401 Phone 903.454.0904 Fax 903.454.3642

SCALE: AS NOTED
DWG. SHEET: **JOSE S2**