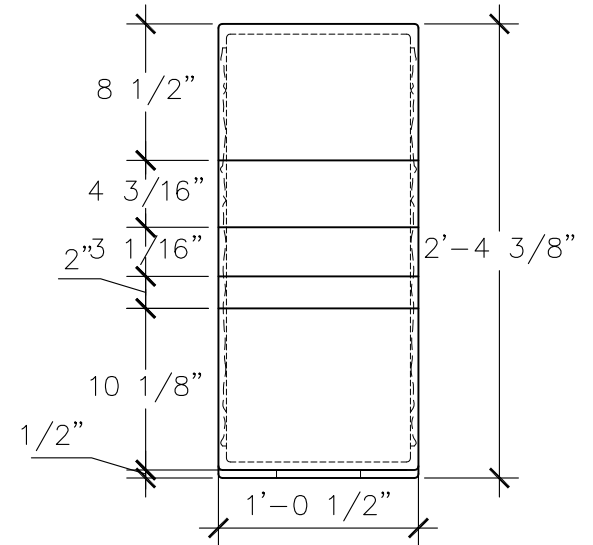
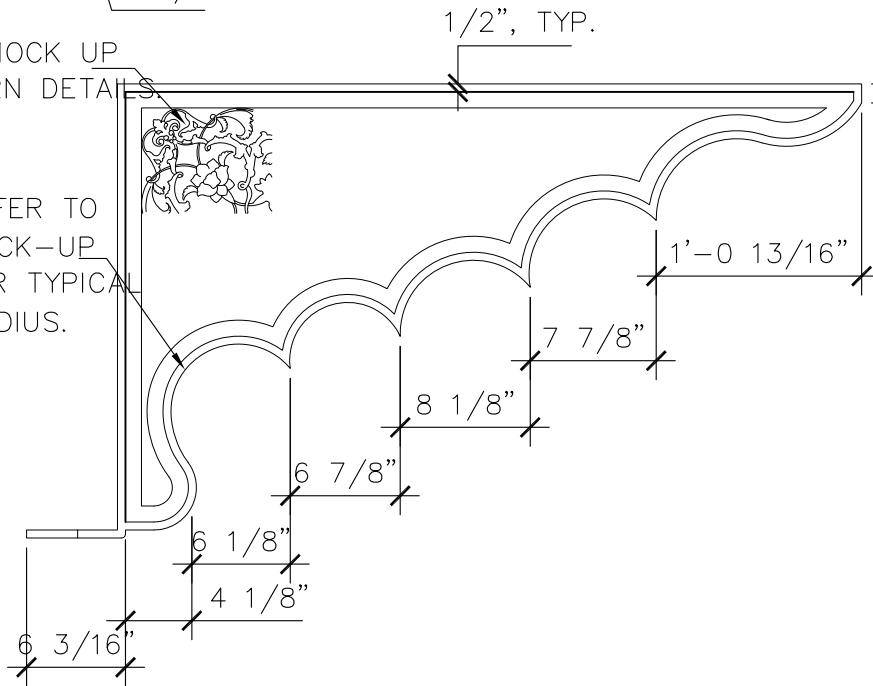


REFER TO MOCK UP FOR PATTERN DETAILS

1/2", TYP.

1 $\frac{3}{16}$ "

REFER TO MOCK-UP FOR TYPICAL RADIUS.



ALL RIGHTS RESERVED. THIS DRAWING IS PROPERTY OF STROMBERG ARCHITECTURAL PRODUCTS INC. AND MAY BE USED ONLY WHEN UTILIZING STROMBERG ARCHITECTURAL PRODUCTS. STROMBERG ARCHITECTURAL PRODUCTS INC. GENERAL TERMS AND CONDITIONS APPLY AND ARE INCORPORATED HEREIN BY REFERENCE. THIS DETAIL MAY NOT APPLY TO ALL CONDITIONS AND CONSTRUCTION SITUATIONS.



STROMBERG ARCHITECTURAL PRODUCTS INC.

4400 Oneal Street, Greenville, TX 75401 Phone 903.454.0904 Fax 903.454.3642

TITLE: SHALIMAR

SCALE: AS NOTED

TYPE DWG: PORCH BRACKET

DWG. SHEET: **SHALIMAR PB**