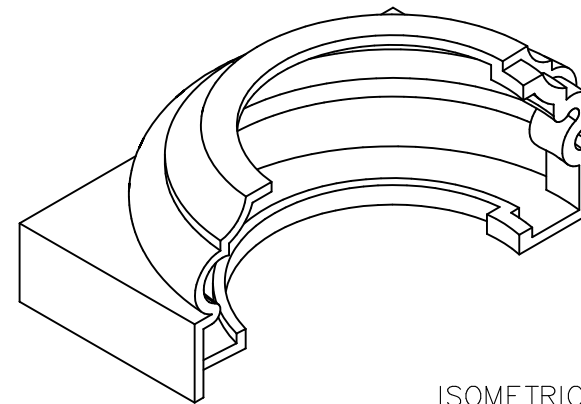
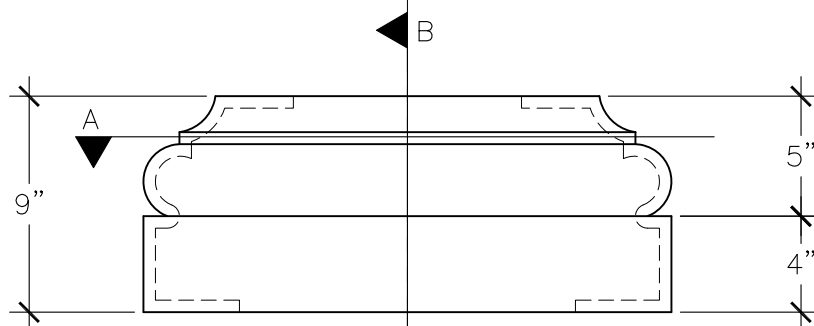


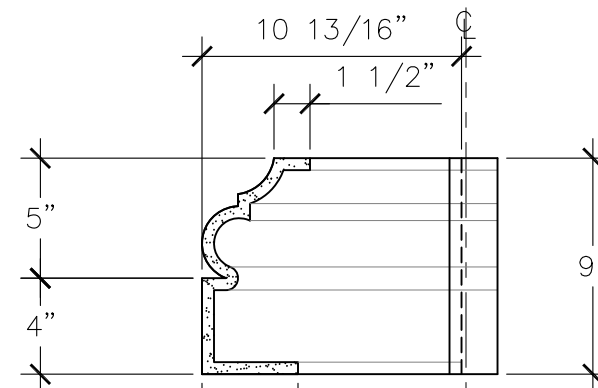
SECTION A
SCALE 1 1/2"=1'



ISOMETRIC VIEW
SCALE 1 1/2"=1'



FRONT VIEW
SCALE 1 1/2"=1'



SECTION B
SCALE 1 1/2"=1'

ALL RIGHTS RESERVED. THIS DRAWING IS PROPERTY OF STROMBERG ARCHITECTURAL PRODUCTS INC. AND MAY BE USED ONLY WHEN UTILIZING STROMBERG ARCHITECTURAL PRODUCTS. STROMBERG ARCHITECTURAL PRODUCTS INC. GENERAL TERMS AND CONDITIONS APPLY AND ARE INCORPORATE HERE IN BY REFERENCE. THIS DETAIL MAY NOT APPLY TO ALL CONDITIONS AND CONSTRUCTION SITUATIONS.



STROMBERG ARCHITECTURAL PRODUCTS INC.

4400 Oneal Street, Greenville, TX 75401 Phone 903.454.0904 Fax 903.454.3642

TITLE: VANDERBILT

SCALE: AS NOTED

TYPE DWG: COLUMN BASE

DWG. SHEET: **UNIVERSITY CB**